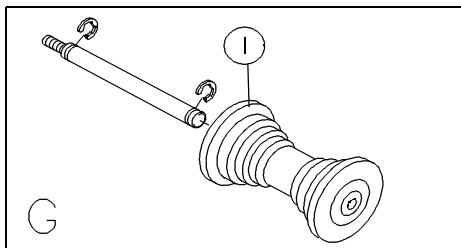
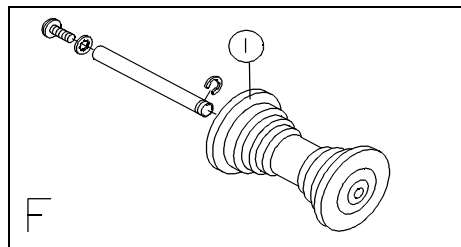
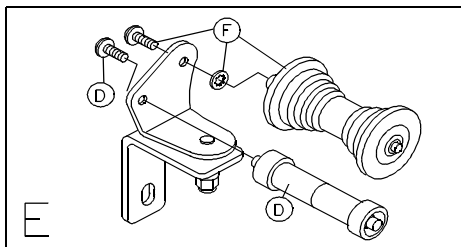
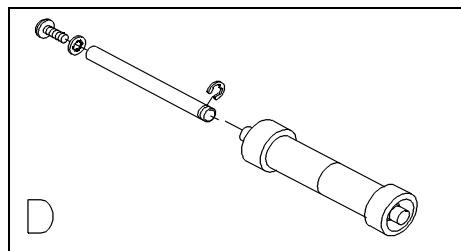
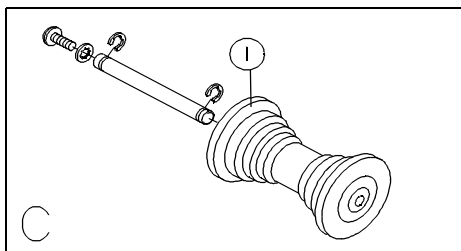
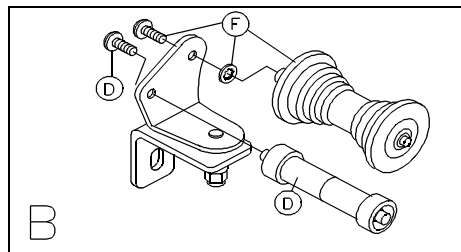
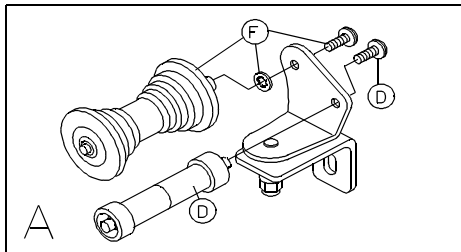


70mm Alpha Parts Manual

PRODUCT INFORMATION BULLETIN # 3852

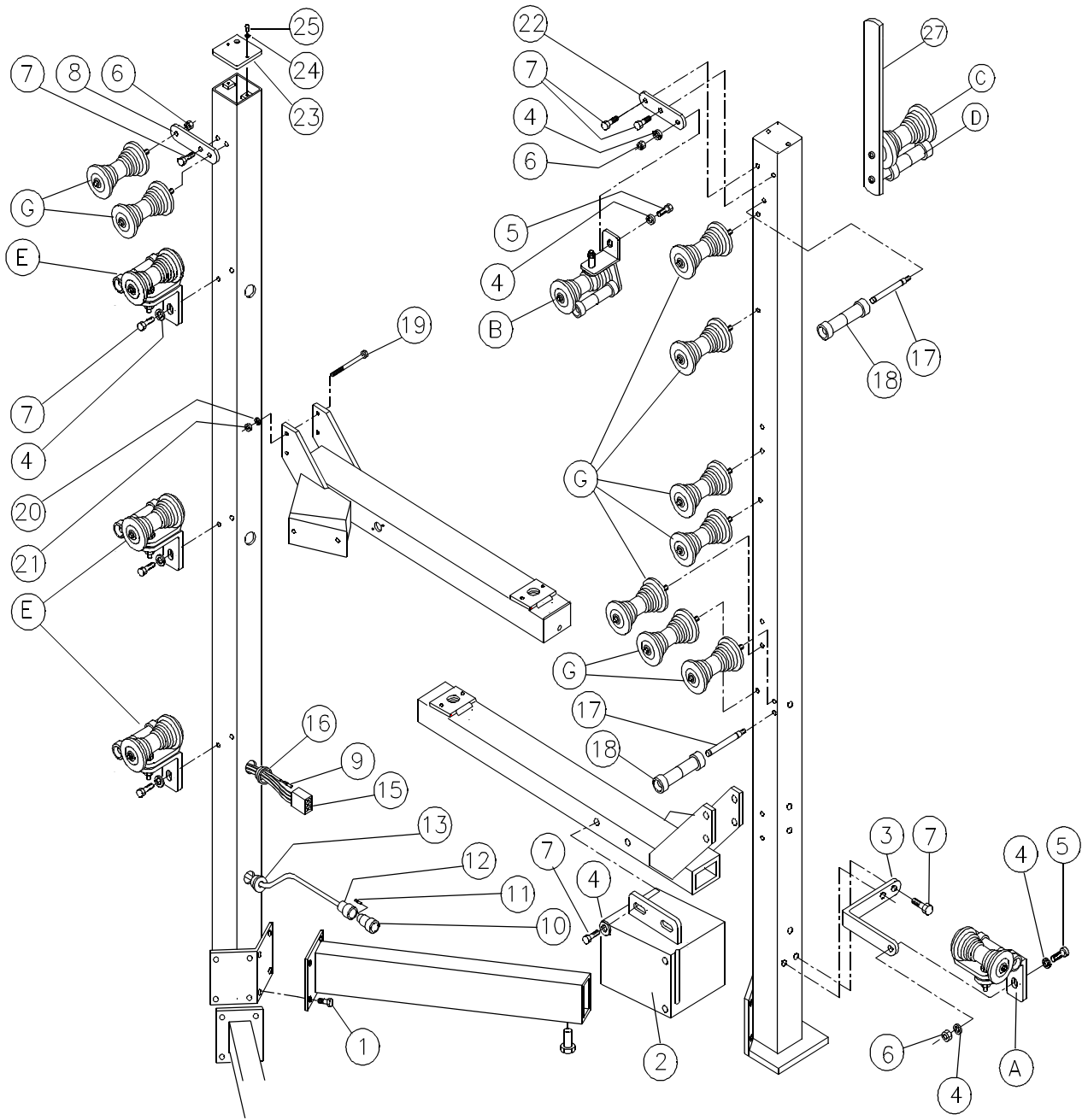
Record Platter System Identification Numbers Here:

Model # _____ Serial # _____



COMMON 70mm PULLEY ASSEMBLIES

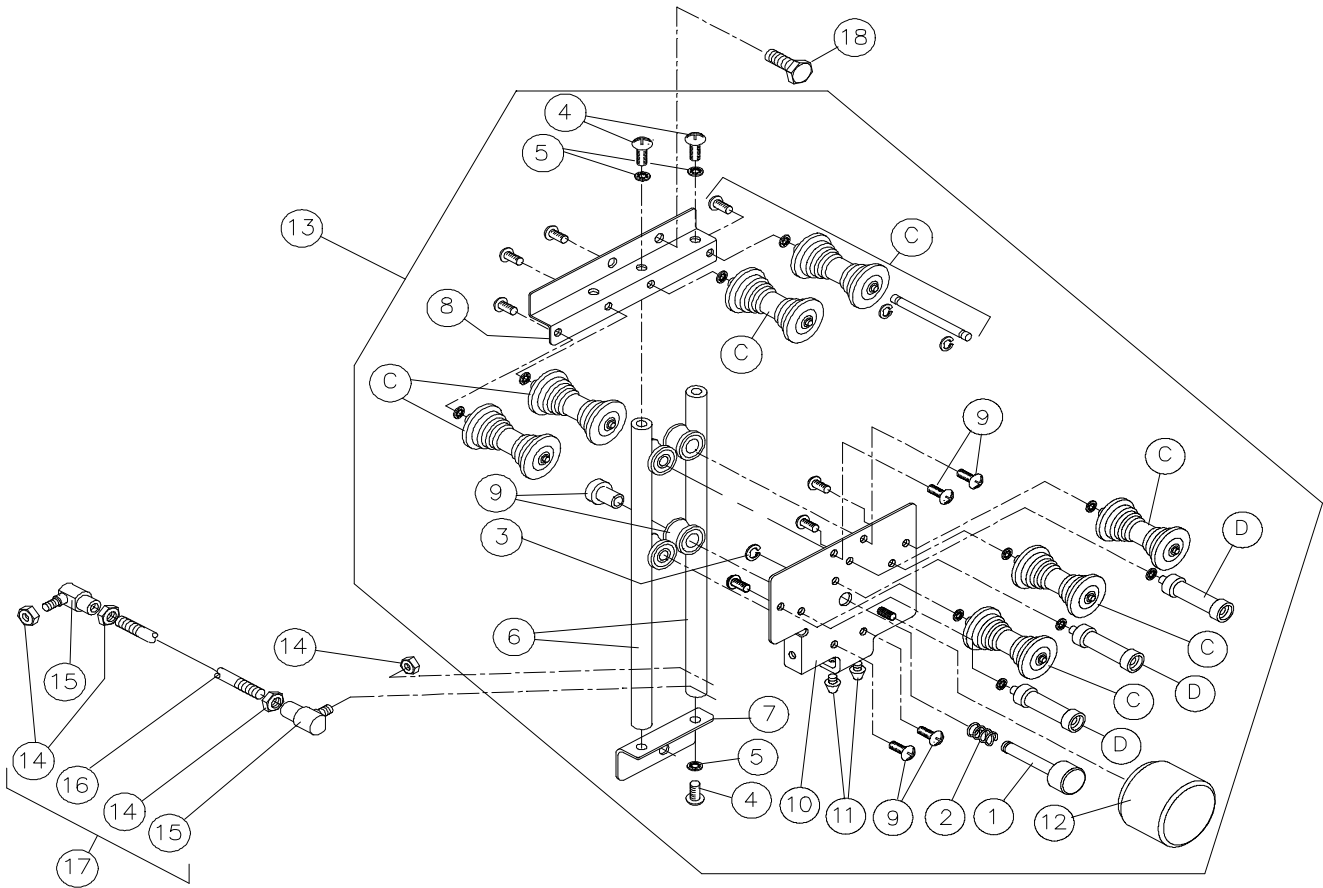
- A) 2605 Castor Swivel Assy., Left 70mm
- B) 1554 Castor Swivel Assy., Right 70mm
- C) 1556 Pulley Shaft-Castor & Pulley Assy, 70mm
- D) 2876 Spool & Shaft Assy. 70mm
- E) 4317 Column Castor Mount Assy,
Alpha Type 2, 70mm
- F) 3948 Pulley Shaft-#5 & Pulley Assy, 70mm
- G) 1552 Column Shaft & Pulley Assy 70mm
- I) 1715 Pulley Assy. 5/16" ID 70mm



70mm Alpha Column

70mm Column Parts

- | | | | |
|---------|-------------------------------------------------|----------|----------------------------------------------|
| A) 2605 | Castor Swivel Assy,
Left, 70mm | 9) 1709 | Socket, CPS |
| B) 1554 | Castor Swivel Assy. Right
70mm | 10) 2078 | Plug 9 Pin |
| C) 1556 | Pulley Shaft, Castor
& Pulley Assy. 70mm | 11) 2063 | Socket, CPC |
| D) 2876 | Spool & Shaft Assy, 70mm | 12) 2071 | Clamp Cable #3 |
| G) 1552 | Column Shaft & Pulley
Assy, 70mm | 13) 3803 | Strain Relief 7/8 x .200 |
| E) 4317 | Column Castor Mount Assy,
Alpha Type 2, 70mm | 15) 1840 | Receptacle, 6 Circuit CPS |
| 1) 1063 | SHCS 3/8-16 x 5/8" | 16) 1179 | Bushing, Open/Closed 7/8" |
| 2) 2205 | Variac assy. Arm
Mount (Pre 1996) | 17) 1655 | Column Pulley Shaft, 5/16" Dia.
70mm |
| 3415 | Variac assy. Arm mnt.
(1996 and after) | 18) 1491 | Spool Assy., 70mm |
| 3) 1410 | Column Bottom
Castor Bracket, 70mm | 19) 1062 | HHCS 5/16-18 x 5" |
| 4) 1076 | Flatwasher 1/4" | 20) 1080 | Lockwasher 5/16", Split Ring |
| 5) 1056 | HHCS 1/4-28 x 3/4" | 21) 1090 | Nut Hex 5/16-18 |
| 6) 1088 | Locknut, Nylon Insert 1/4-28 | 22) 1409 | Column R1 Castor Bracket, 70mm |
| 7) 1055 | HHCS 1/4-28 x 1/2" | 23) 3331 | Column End Cap |
| 8) 1168 | Column Feed Pulley
Bracket 1L | 24) 1075 | Flatwasher #10 |
| | | 25) 1072 | Screw PTH 10-32 x 1/2" |
| | | 27) 1498 | Projector Arm Assy, 70mm
(includes C & D) |



70mm Alpha Take-Up

- | | |
|--------------------------------------------------|-------------------------------------------|
| C) 1556 Pulley Shaft - Castor & Pulley Assy 70mm | 9) 2629 Take-Up Slide Shaft & Roller Assy |
| D) 2876 Spool & Shaft Assy. 70mm | 10) 1813 Take-Up Plt. & Bushing, 70mm |
| 1) 1465 Take-Up Stop Pin | 11) 2067 Take-up Stop Bumper |
| 2) 1234 Take-Up Stop Pin Spring | 12) 4337 Take-Up Weight, Type 2 |
| 3) 1050 E Ring 5/16" | 14) 1087 Nut Hex 1/4-28 |
| 4) 1071 Screw PTH 10-32 x 3/8" | 15) 2660 Ball Swivel 1/4-28 |
| 5) 1078 Lockwasher #10, Internal Tooth | 16) 2247 Variac Linkage Rod A. |
| 6) 1238 Take-up Rail | 17) 2272 Variac Linkage Rod Assembly A. |
| 7) 1237 Take-Up Lower Bracket | 18) 2880 Take-Up Assy. Alpha 70mm |
| 8) 1794 Take-Up Upper Bracket, 70mm | 19) 1055 HHCS 1/4-28 x 1/2" |

70mm Alpha Variac Parts

2205 Variac Assy. Arm Mount. (Pre 1996)
3415 Variac Assy. Arm Mount. (1996 and later)

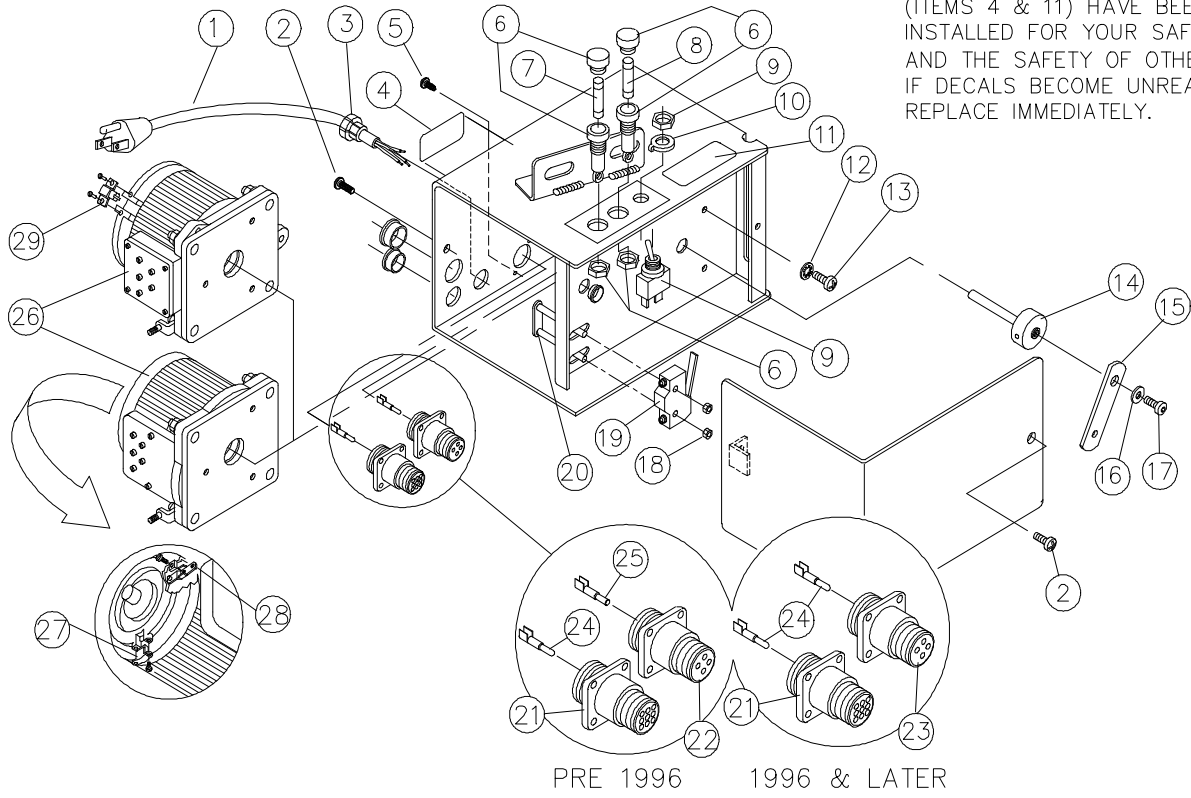
- | | |
|--------------------------------------------------|------------------------------------------------|
| 1) 1029 Power Cord 3 Wire | 16) 1075 Flatwasher #10 |
| 2) 1071 Screw PTH 10-32 x 3/8" | 17) 1233 Button Head Cap Screw 10-32 x 3/8" |
| 3) 2391 Strain Relief 5/8 x .125 (.325/.36 dia) | 18) 1083 Nut Hex 6-32 |
| 4) 3790 Decal, Cord | 19) 2536 Micro Switch-Flat Blade-HD |
| 5) 2521 Screw PPH #8 x 3/8" Type 25 | 20) 1469 Switch Adjusting Plate Assy |
| 6) 1009 Fuse Holder | 21) 2077 Receptacle 9 Pin |
| 7) 2338 Fuse 1.5 AMP 250v | 22) 2068 Receptacle 4 Pin, (Rev. Sex) |
| 8) 2265 Fuse 8 AMP 125v | 23) 2056 Receptacle 4 Pin (Std. Sex) |
| 9) 1024 Toggle Switch SPST On-Off | 24) 2507 Pin CPC |
| 10) 1081 Washer Switch Keyed | 25) 2506 Socket CPC |
| 11) 3788 Decal, Fuse | 26) 1006 Transformer 110v Replacement Kit |
| 12) 1078 Lockwasher #10 - Internal Tooth | *27) 1005 Brush, Variac (Staco 1010) |
| 13) 1069 Screw PTH 8-32 x 3/8" | *28) 2103 Contact Assembly Variac (Staco 1010) |
| 14) 1643 Variac Shaft & Hub Sub-
Assy. Type 2 | *29) 4445 Brush, Variac (Powerstat 116CU) |
| 15) 1640 Variac Link Type 2 | |

* Refer to the transformer face plate for manufacturer's name and model number. Order replacement parts for the manufacturer specified. No replacement contact is required for Powerstat transformers.
Transformers are interchangeable.

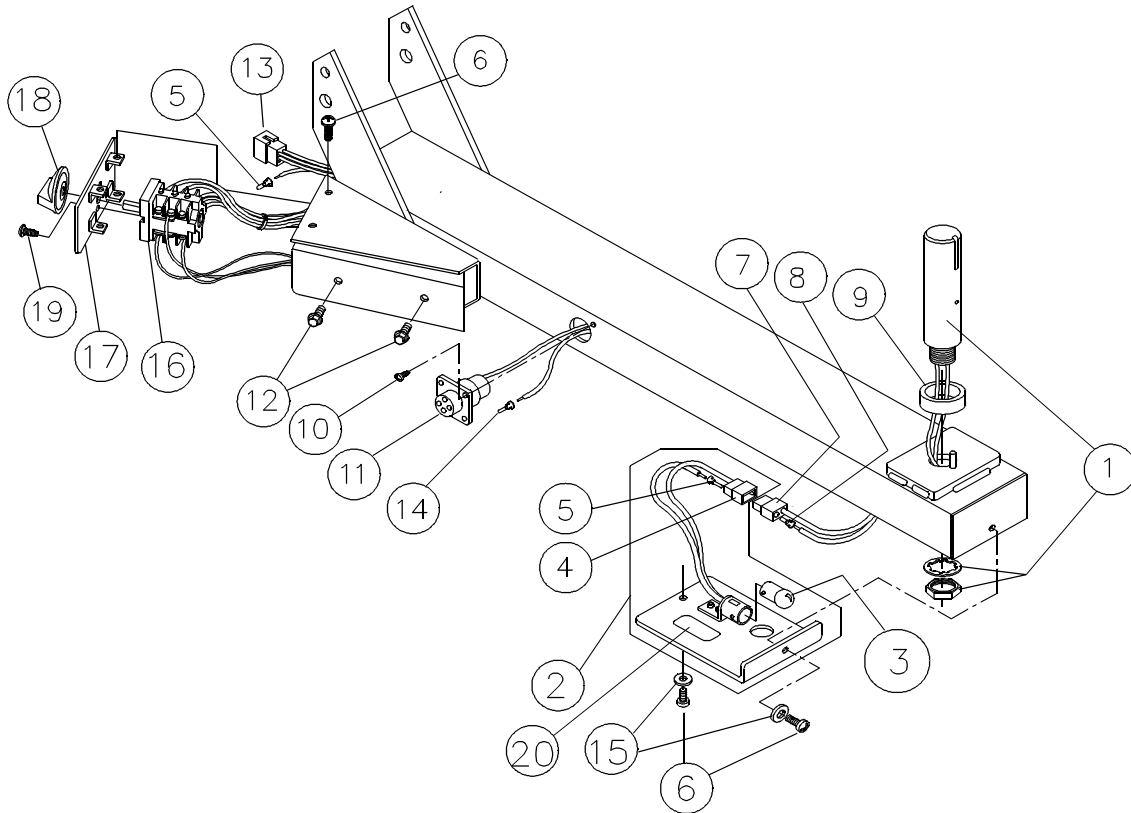
70mm Variac Arm Parts

- 1) 2359 Arm Spindle Plug In Retrofit
- 3) 2129 Bulb 115v Bayonette Base
- 4) 1837 Plug, 2 Circuit CPS
- 5) 1708 Pin, CPS
- 6) 1071 Screw PTH 10-32 x 3/8"
- 7) 1838 Receptacle, 2 Circuit CPS
- 8) 1709 Socket, CPS
- 9) 1183 Arm Bearing Spacer
- 10) 1065 Screw PTH 6-32 x 1/4"
- 11) 2068 Receptacle 4 Pin
- 12) 2367 HWHS 1/4-20 x 5/8"
- 13) 1839 Plug, 6 Circuit CPS
- 14) 2063 Socket, CPC
- 15) 1075 Flatwasher #10
- 16) 2352 Selector Switch Alpha
- 17) 1728 Arm Switch Mount. Plate Weldment Alpha
- 18) 2631 Knob-Selector Switch
- 19) 2521 Screw PPH #8 X 3/8" Type 25
- 20) 3787 Decal, Bulb Replacement

NOTE: DECALS #3790 & 3788 (ITEMS 4 & 11) HAVE BEEN INSTALLED FOR YOUR SAFETY AND THE SAFETY OF OTHERS. IF DECALS BECOME UNREADABLE REPLACE IMMEDIATELY.



70mm Alpha Mount Variac



70mm Alpha Arm

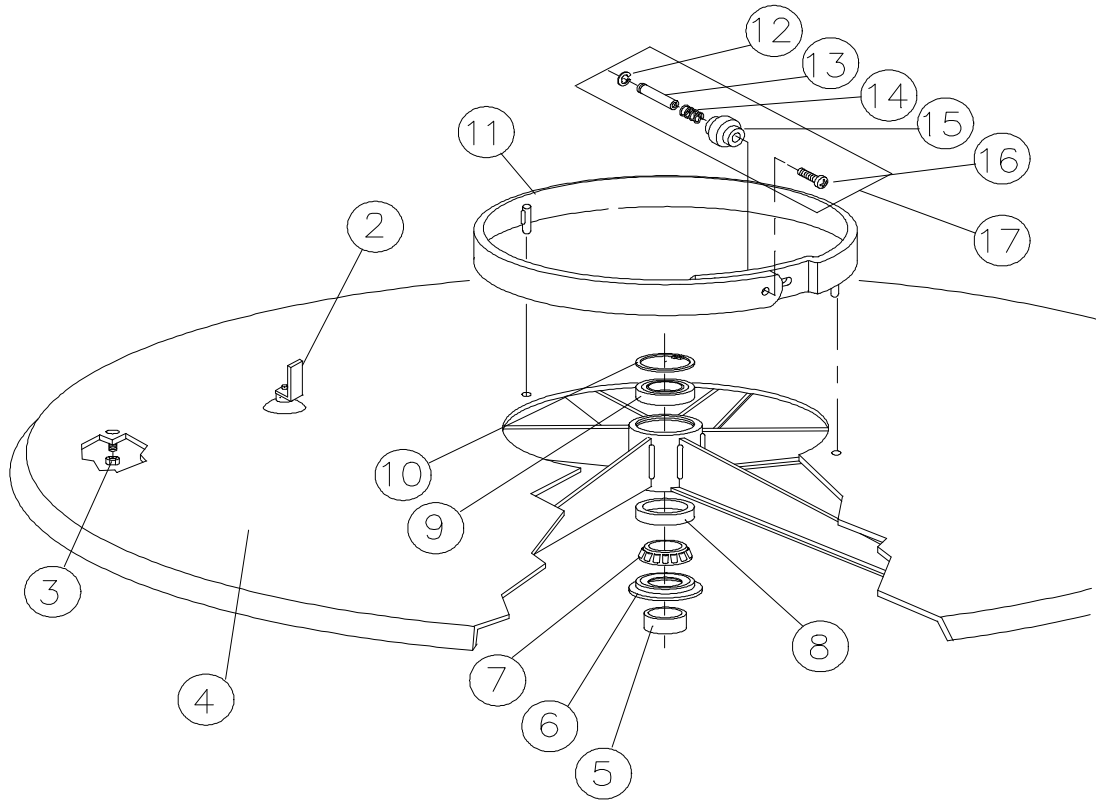
-
- | | |
|--------------------------------------------|--------------------------------------------|
| 3) 1084 Locknut, Nylon Insert 6-32 | 10) 1255 Disk Upper Bearing Retaining Ring |
| 4) 1865 One Disk Crated 52" or | 12) 1050 E Ring 5/16" |
| 5) 1183 Arm Bearing Spacer | 13) 1265 Shaft #9 |
| 6) 1258 Disk Lower Bearing Grease Retainer | 14) 1266 Center Ring Knob Spring |
| 7) 1256 Disk Lower Bearing | 15) 1264 Center Ring Knob |
| 9) 1254 Disk Upper Bearing | 16) 1070 Screw PFH 8-32 x 3/8" |
| | 17) 1827 Center Ring Knob Assy |
-

70mm Drive Motor Parts

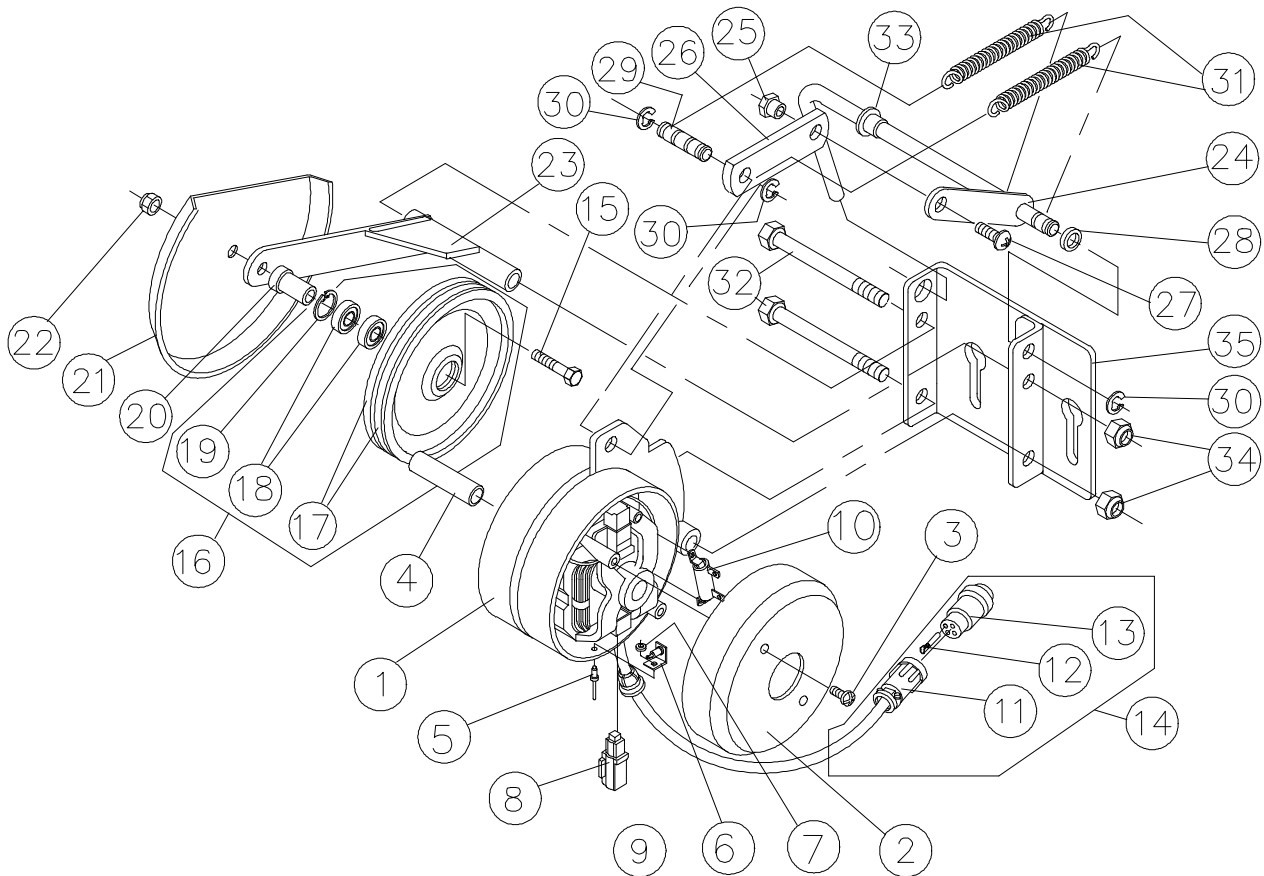
1826 Drv. Mtr Assy. Type 3 Alpha (Includes all items shown)

- | | |
|---------------------------------------|------------------------------------------|
| 3) 1091 Screw PPH 10-24 x 3/8" Type F | 20) 1633 Drive Motor Wheel Spacer Type 3 |
| 4) 1630 Drv Mtr Hub Type 3, 3/8" dia | |
| 5) 1052 Pop Rivet 1/8" X 5/16" Steel | |
| 6) 1775 Drv Mtr Diode & Brkt Assy | |
| | Weldment Type 3 |
| 8) 1004 Brush Motor 115 volt (1 pair) | 24) 1618 Drive Motor Toggle Handle |
| 9) 2856 Strain Relief 5/8 x .062 | |
| 11) 2070 Clamp Cable #11 | Type 3 |
| 12) 2064 Pin Male | 26) 1634 Drive Motor Connector Link |
| | Type 3 |
| | 27) 1071 Screw PTH 10-32 x 3/8" |
| | 28) 2774 NylonWasher, 1/2"OD x .320" |
| | 29) 1402 Drive Motor Spring Pin |
| | 30) 1050 E Ring 5/16" |
| | 31) 1818 Drive Motor Spring Type 3 |
| | 32) 3009 HHCS 1/4-28 x 3 |
| | 33) 1128 Bushing Plastic 1/2" |
| | 35) 2796 Drive Motor Adjustment Plate |
| | Assy. Type 4 |

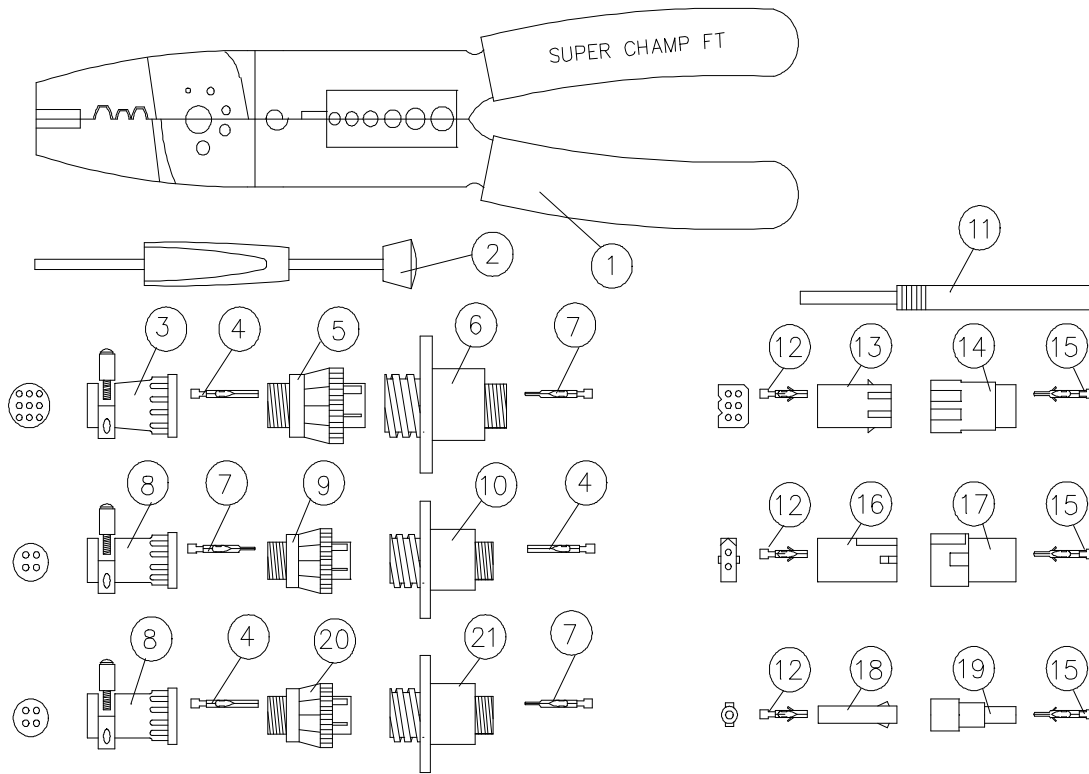
Hardware



70mm Alpha Disk & Center Ring



70mm Alpha Drive Motor



- 1) 2674 Pin Crimping Tool
- 2) 2673 Pin Extraction Tool CPC
- 3) 2071 Clamp Cable #13
- 4) 2063 Socket CPC
- 5) 2078 Plug 9 Pin
- 6) 2077 Receptacle 9 Pin
- 7) 2064 Pin CPC
- 8) 2070 Clamp Cable #11
- 9) 2069 Plug 4 Pin
- 10) 2068 Receptacle 4 Pin
- 11) 2669 Pin Extraction Tool CPS
- 12) 1709 Socket, CPS
- 13) 1840 Receptacle, 6 Circuit CPS
- 14) 1839 Plug, 6 Circuit CPS
- 15) 1708 Pin, CPS
- 16) 1838 Receptacle, 2 circuit CPS
- 17) 1837 Plug, 2 Circuit CPS
- 18) 1836 Receptacle, 1 Circuit CPS
- 19) 1835 Plug, 1 Circuit CPS
- 20) 2057 Plug, 4 Pin - (std sex)
- 21) 2056 Receptacle 4 Pin - (std sex)