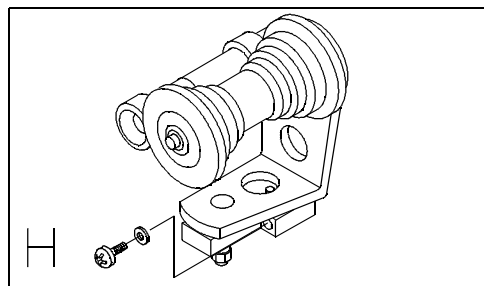
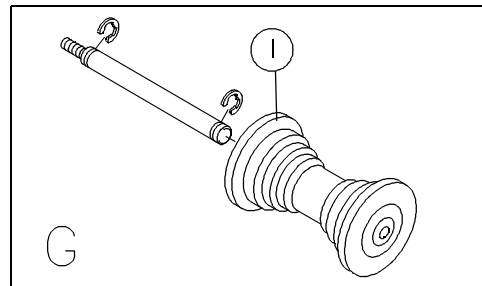
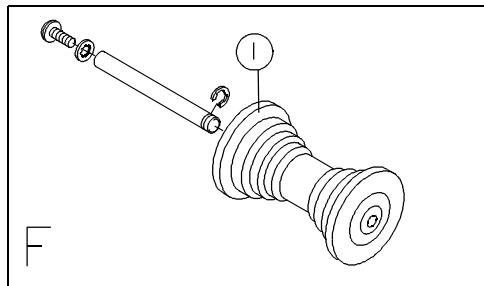
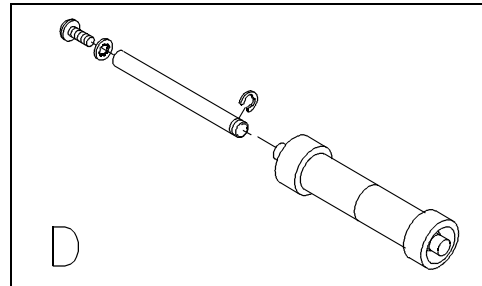
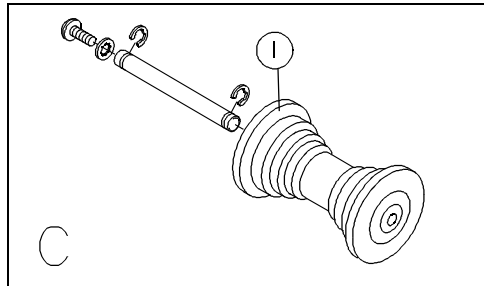
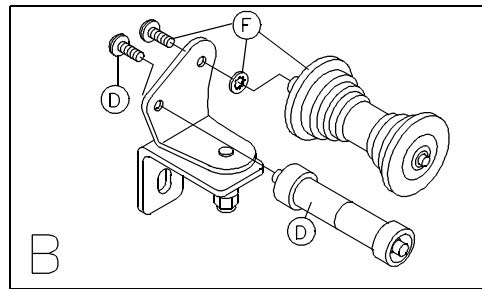
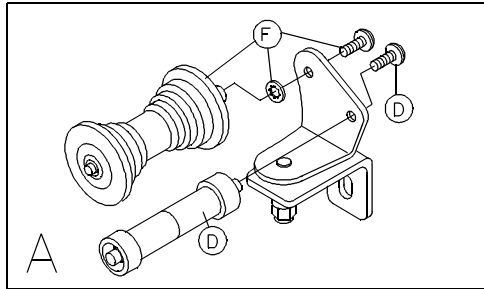


# AP & DMC 70mm Crossover Kit Parts Manual

PRODUCT INFORMATION BULLETIN # 4327  
PARTS SUPPLEMENT TO BE USED WITH AP 35mm PARTS  
MANUAL #3002 OR DMC 35mm PARTS MANUAL #3366.



## COMMON 70mm PULLEY ASSEMBLIES

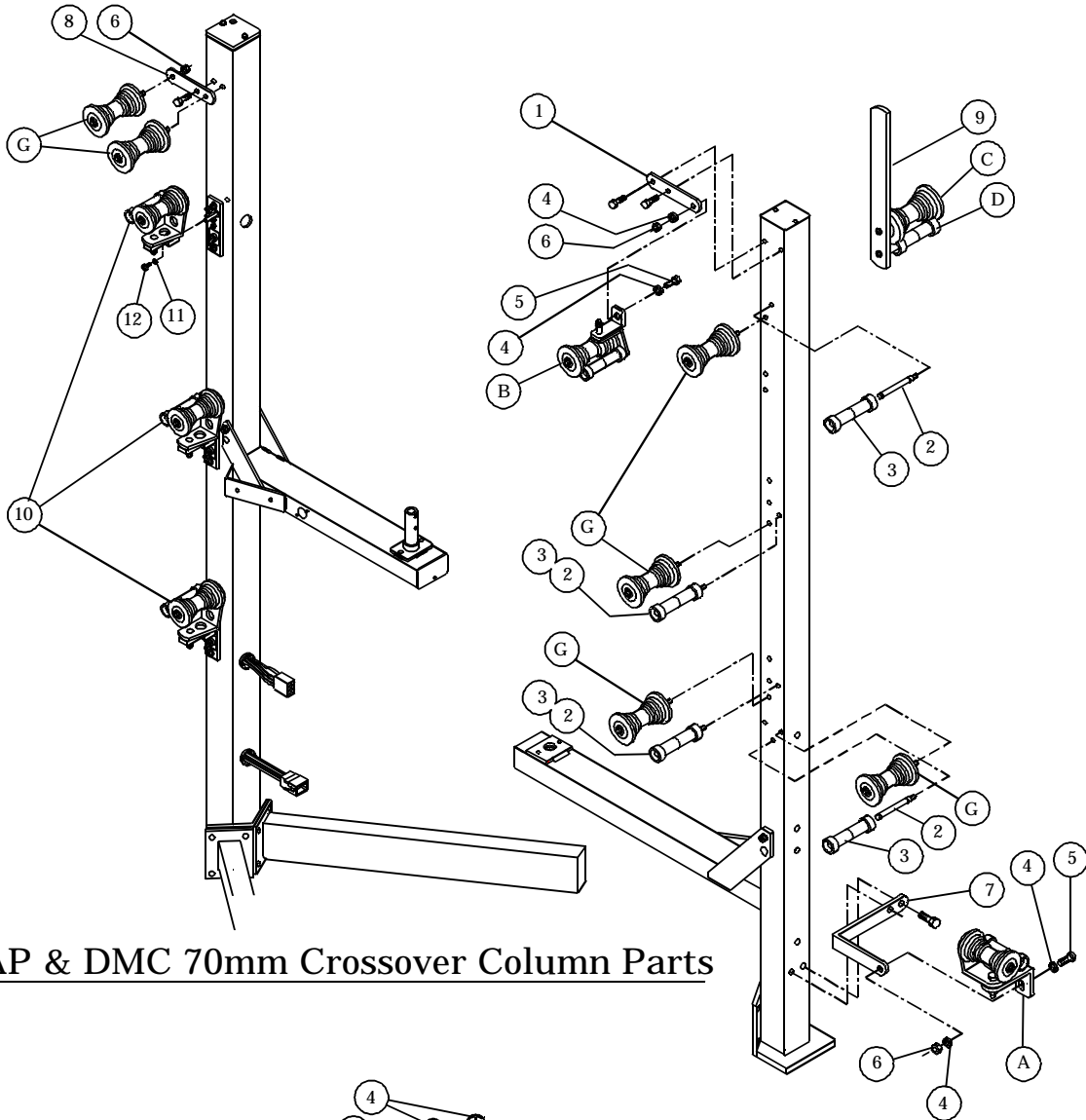
- A) 2605 Castor Swivel Assy., Left 70mm
- B) 1554 Castor Swivel Assy., Right 70mm
- C) 1556 Pulley Shaft-Castor & Pulley Assy, 70mm
- D) 2876 Spool & Shaft Assy. 70mm
- F) 3948 Pulley Shaft-#5 & Pulley Assy, 70mm
- G) 1552 Column Shaft & Pulley Assy 70mm
- I) 1715 Pulley Assy. 5/16" ID 70mm
- H) 4302 Feed Castor Block & Pulley Assy.

## **AP & DMC 70mm Crossover Column Parts**

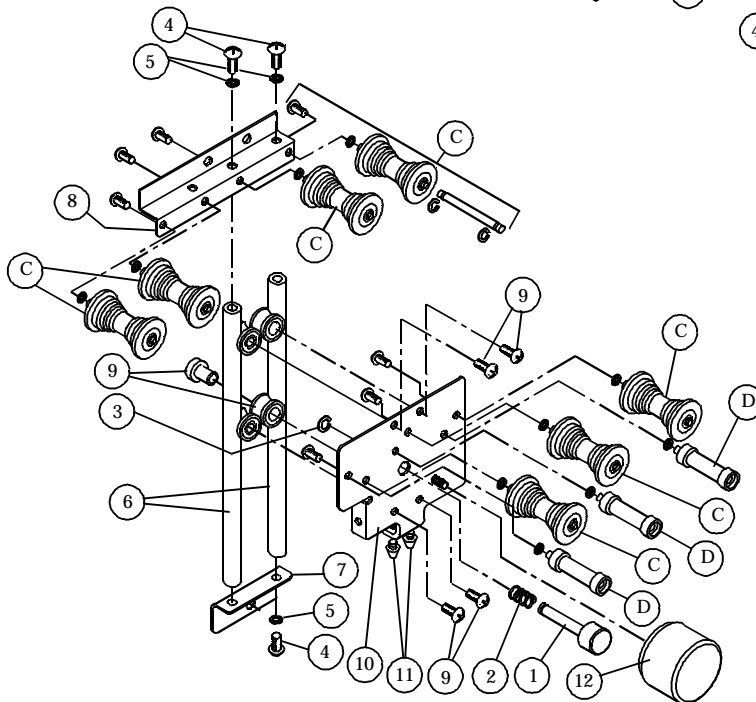
- A) 2605 Castor Swivel Assy. Left, 70mm
  - B) 1554 Castor Swivel Assy. Right, 70mm
  - C) 1556 Pulley Shaft-Castor & Pulley Assy. 70mm
  - D) 2876 Spool & Shaft Assy, 70mm
  - G) 1552 Column Shaft & Pulley Assy, 70mm
  - 1) 1409 Column R1 Castor Bracket, 70mm
  - 2) 1655 Column Pulley Shaft, 5/16" Dia. 70mm
  - 3) 1491 Spool Assy., 70mm
  - 4) 1076 Flatwasher 1/4"
  - 5) 1056 HHCS 1/4-28 x 3/4"
  - 6) 1088 Locknut, Nylon Insert 1/4-28
  - 7) 1410 Column Bottom Castor Bracket, 70mm
  - 8) 1168 Column Feed Pulley Bracket 1L
  - 9) 1498 Projector Arm Assy, 70mm (includes C & D)
  - 10) 4302 Feed Castor Block & Pulley Assy., 70mm
  - 11) 1880 Flatwasher, #6
  - 12) 1065 Screw PTH, 6-32 x 1/4"
- 

## **AP & DMC 70mm Crossover Take-Up Parts**

- 2880 Take-Up Assy. 70mm Type 3
- C) 1556 Pulley Shaft - Castor & Pulley Assy 70mm
- D) 2876 Spool & Shaft Assy 70mm
- 1) 1465 Take-Up Stop Pin
- 2) 1234 Take-Up Stop Pin Spring
- 3) 1050 E Ring 5/16"
- 4) 1071 Screw PTH 10-32 x 3/8"
- 5) 1078 Lockwasher #10, Internal Tooth
- 6) 1238 Take-up Rail
- 7) 1237 Take-Up Lower Bracket
- 8) 1794 Take-Up Upper Bracket, 70mm
- 9) 2629 Take-Up Slide Shaft & Roller Assy
- 10) 1813 Take-Up Slide Plate & Bushing 70mm Type 3
- 11) 2067 Take-up Stop Bumper
- 12) 4337 Take-Up Weight Type 2



AP & DMC 70mm Crossover Column Parts

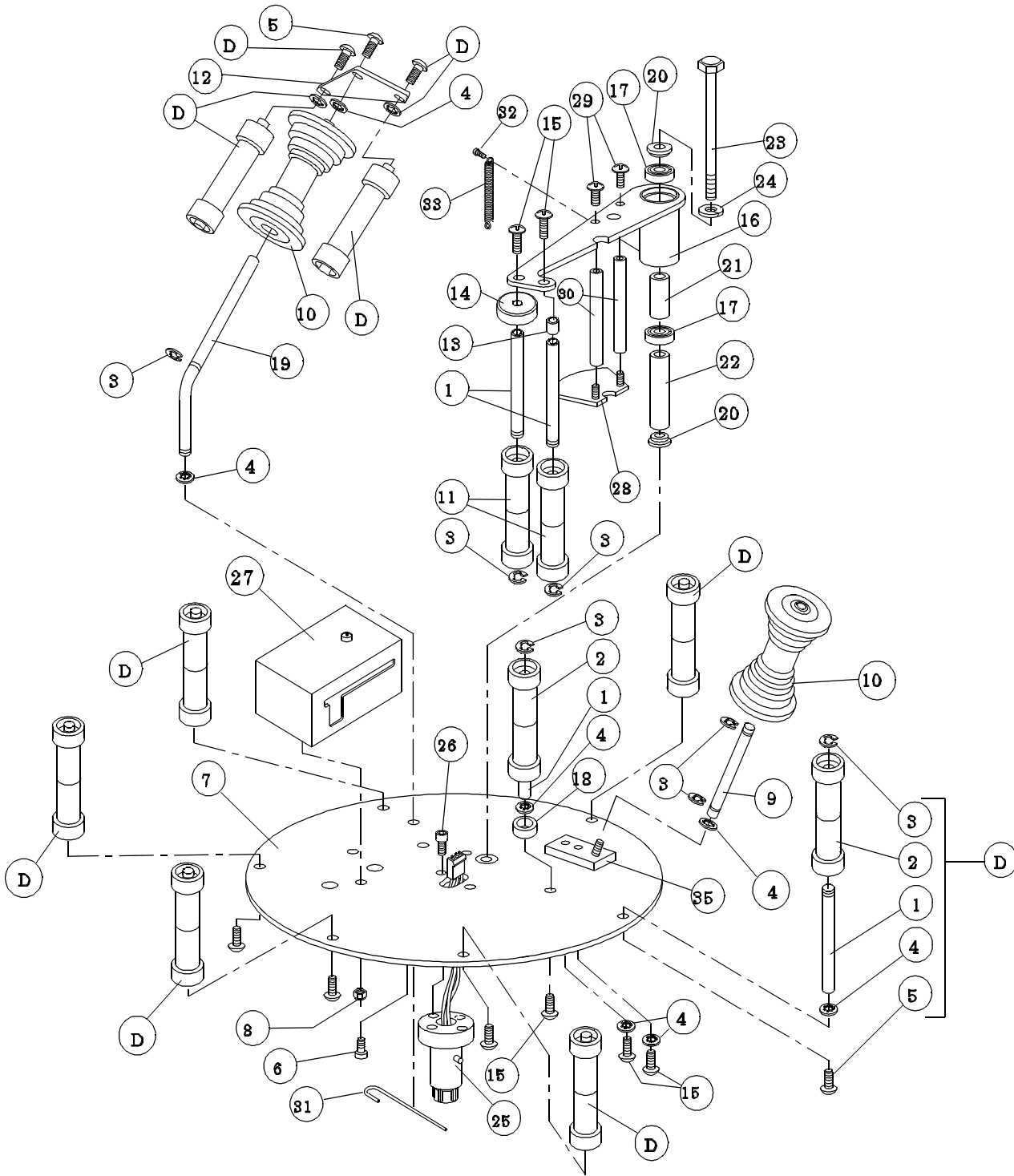


AP & DMC 70mm Crossover Take-Up Parts

**DMC 70mm Crossover Plug-In**  
**Control Plate Parts**

3942 Control Plate Assy., Plug-In 70mm DMC, Complete

- D) 2876 Spool & Shaft Assy. 70mm (Includes 1-5)
  - 1) 1431 Spool Shaft, 70mm
  - 2) 1491 Spool Assembly, 70mm
  - 3) 1050 E-Ring, 5/16"
  - 4) 1078 Lockwasher, #10, Internal Tooth
  - 5) 1071 Screw PTH, 10-32 x 3/8"
  - 6) 1592 SHCS, 10-32 x 1/2"
  - 7) 2210 Control Plate & Nut Sub Assy. 70mm
  - 8) 1032 Locknut, Nylon Insert, 4-40
  - 9) 1654 Pulley Shaft-Castor, 5/16" Dia. 70mm
  - 10) 1715 Pulley Assy. 5/16" ID, 70mm
  - 11) 3067 Sensor Arm Spool Assy. 70mm
  - 12) 1436 Control Plate Keeper Tab, 70mm
  - 13) 1153 Control Plate Arm Spool Spacer Float
  - 14) 2006 Control Plate Arm Film Spacer
  - 15) 1072 Screw, PTH, 10-32 x 1/2"
  - 16) 3954 Control Plate Sensor Arm & Hub, DMC 70mm
  - 17) 2407 Bearing, 5/8 OD x 1/4 ID
  - 18) 4301 Control Plate Feed Exit Spool Spacer, 70mm
  - 19) 1658 Control Plate Exit Shaft #3, 5/16" Dia. 70mm
  - 20) 2380 Control Plate Sensor Arm Washer
  - 21) 2379 Control Plate Sensor Arm Spacer
  - 22) 1742 Control Plate Arm Hub Standoff, 70mm
  - 23) 3009 HHCS, 1/4-28 x 3 3/4"
  - 24) 1079 Lockwasher, 1/4" Split Ring
  - 25) 3357 Control Plate, Plug-In Adapter , DMC (Includes item 26)
  - 26) 1064 SHCS, 8-32 x 3/8"
  - 27) 3358 Digital Motor Control (Control Plate)
  - 28) 2906 Control Plate Sensor Mask, DMC
  - 29) 1069 Screw, PTH, 8-32 x 3/8"
  - 30) 3952 Control Plate Mask Shaft, DMC 70mm
  - 31) 2171 Phase Control Mask Spring
  - 32) 3353 SHCS, 2-56 x 1/4"
  - 33) 3338 Control Plate Arm Return Spring, DMC
  - 35) 4323 Control Plate Angle Block, 70mm

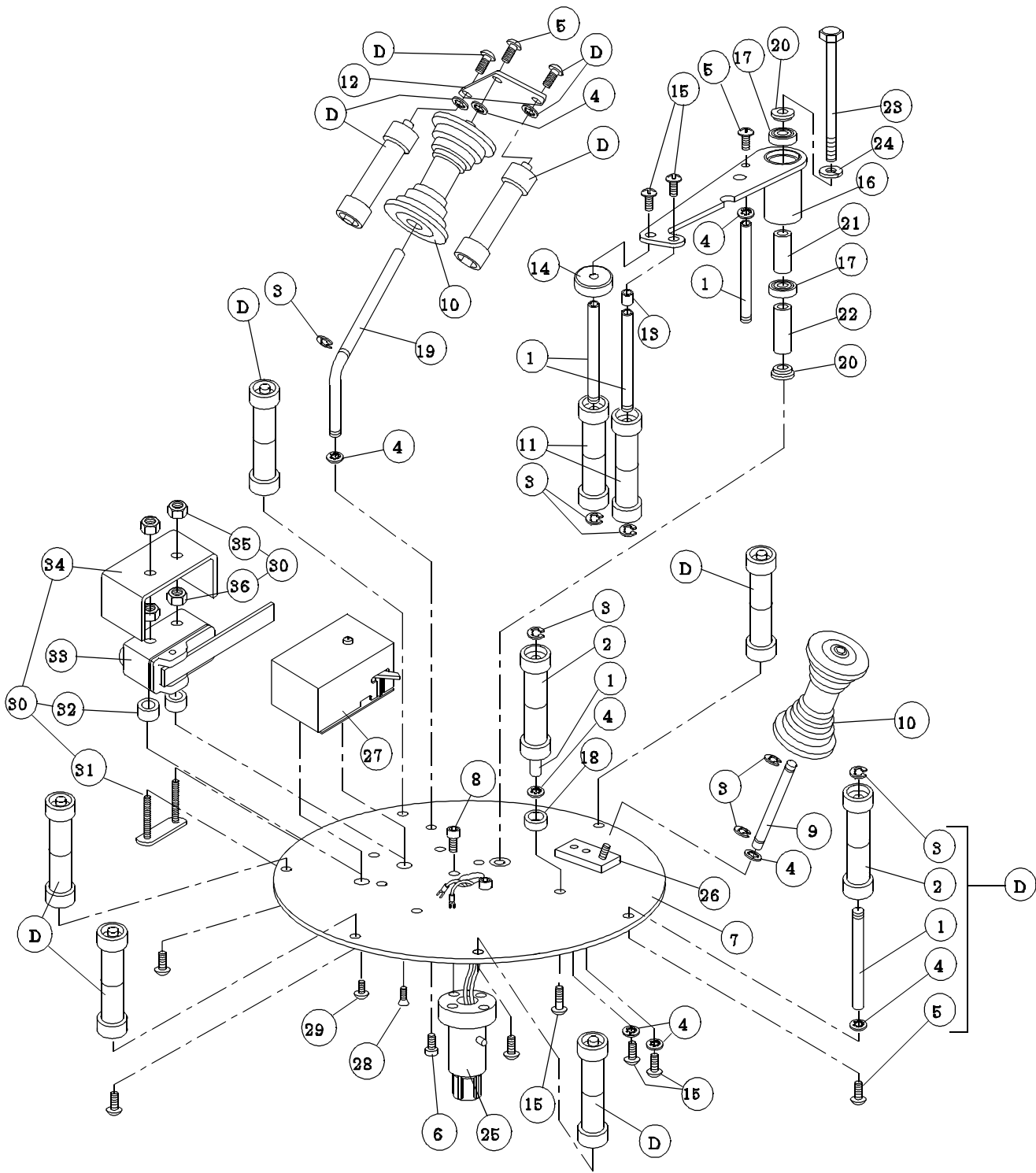


**DMC 70mm Crossover Plug-In**  
**Control Plate Parts**

**AP 70mm Crossover Plug-In**  
**PHC & MIC Control Plate Parts**

3046 Control Plate Assy., Plug-In 70mm MIC, Complete  
3071 Control Plate Assy., Plug-In 70mm PHC, Complete

- D) 2876 Spool & Shaft Assy. 70mm (Includes 1-5)
  - 1) 1431 Spool Shaft, 70mm
  - 2) 1491 Spool Assembly, 70mm
  - 3) 1050 E-Ring, 5/16"
  - 4) 1078 Lockwasher, #10, Internal Tooth
  - 5) 1071 Screw PTH, 10-32 x 3/8"
  - 6) 1592 SHCS, 10-32 x 1/2"
  - 7) 2210 Control Plate & Nut Sub Assy. 70mm
  - 8) 1064 SHCS, 8-32 x 3/8"
  - 9) 1654 Pulley Shaft-Castor, 5/16" Dia. 70mm
  - 10) 1715 Pulley Assy. 5/16" ID, 70mm
  - 11) 3067 Sensor Arm Spool Assy. 70mm
  - 12) 1436 Control Plate Keeper Tab, 70mm
  - 13) 1153 Control Plate Arm Spool Spacer Float
  - 14) 2006 Control Plate Arm Film Spacer
  - 15) 1072 Screw, PTH, 10-32 x 1/2"
  - 16) 1691 Control Plate Sensor Arm & Hub
  - 17) 2407 Bearing, 5/8 OD x 1/4 ID
  - 18) 4301 Control Plate Feed Exit Spool Spacer, 70mm
  - 19) 1658 Control Plate Exit Shaft #3, 5/16" Dia. 70mm
  - 20) 2380 Control Plate Sensor Arm Washer
  - 21) 2379 Control Plate Sensor Arm Spacer
  - 22) 1742 Control Plate Arm Hub Standoff, 70mm
  - 23) 3009 HHCS, 1/4-28 x 3 3/4"
  - 24) 1079 Lockwasher, 1/4" Split Ring
  - 25) 3443 Control Plate, Plug-In Adapter , 70mm (Includes item 8)
  - 26) 4323 Control Plate Angle Block, 70mm
- PHC Control Plate Only**
  - 27) 2430 Phase Control Assy., w/mounting package (incl. 28 & 29)
  - 28) 1070 Screw, PFH, 8-32 x 3/8"
  - 29) 1069 Screw, PTH, 8-32 x 3/8"
- MIC Control Plate Only**
  - 30) 3610 Control Plate Micro Switch Mount Hardware  
(Includes 31, 32, 34, 35 & 36)
  - 31) 1469 Switch Adjusting Plate Assy.
  - 32) 1240 Spacer, 5/16" x 13/64" x 1/4"
  - 33) 2536 Micro Switch-Flat Blade-HD
  - 34) 1595 Micro Switch Cover
  - 35) 1084 Locknut, Nylon Insert, 6-32
  - 36) 1083 Hex Nut, 6-32



**AP 70mm Crossover Plug-In  
PHC & MIC Control Plate Parts**