

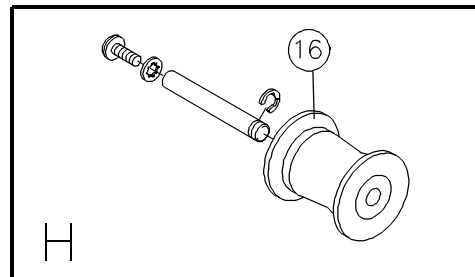
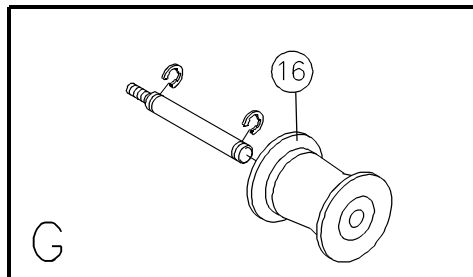
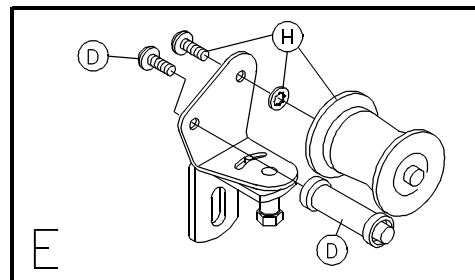
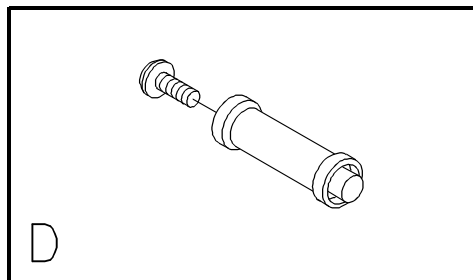
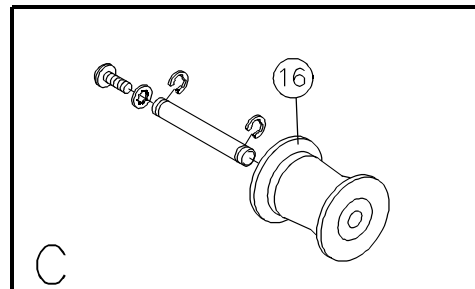
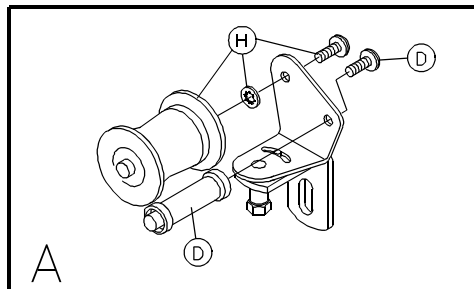
# AP

# Parts Manual

PRODUCT INFORMATION BULLETIN #3002  
For Serial Number 16360196 and After

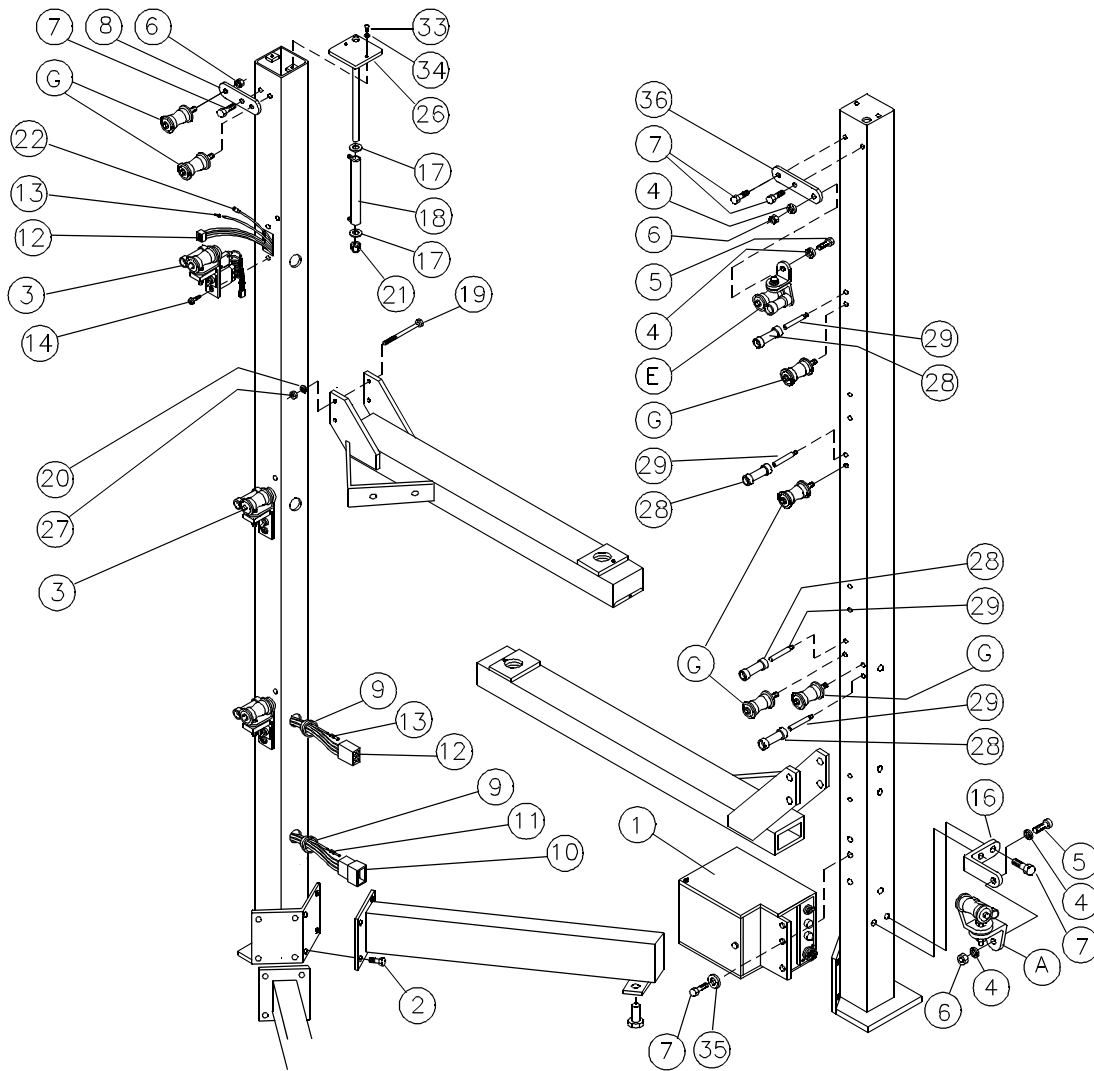
Record Platter System Identification Numbers Here:

Model # \_\_\_\_\_ Serial # \_\_\_\_\_



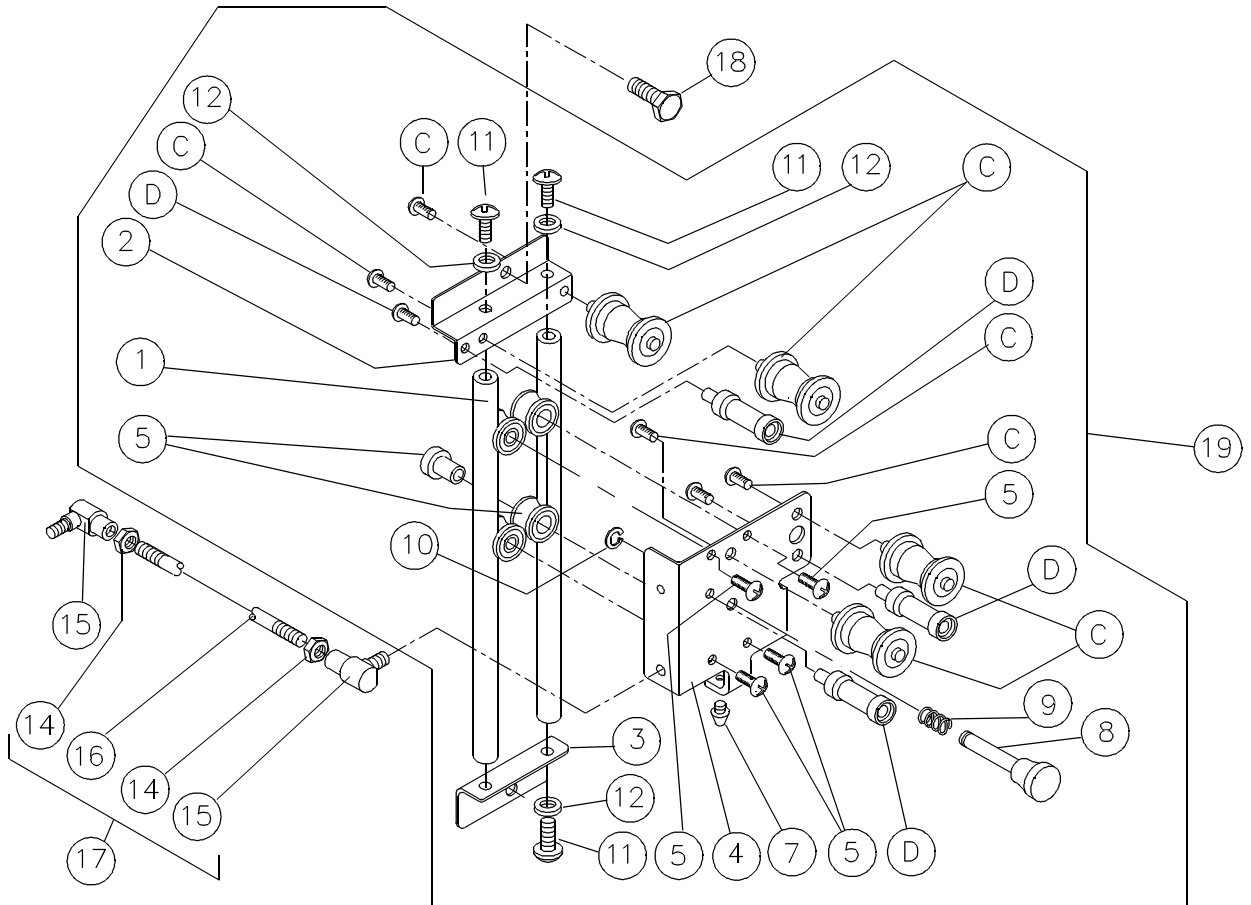
## **COMMON PULLEY ASSEMBLIES**

- A) 2604 Castor Swivel Assy, Left 35mm
- C) 1447 Pulley Shaft #6 & Pulley Assy 35mm
- D) 2602 Keeper Shaft & Spool Assy
- E) 1505 Castor Swivel Assy, Right 35mm
- G) 1504 Column Shaft & Pulley Assy 35mm
- H) 1774 Pulley Shaft #5 & Pulley Assy 35mm
- 16) 2881 Pulley 35mm 5/16" ID



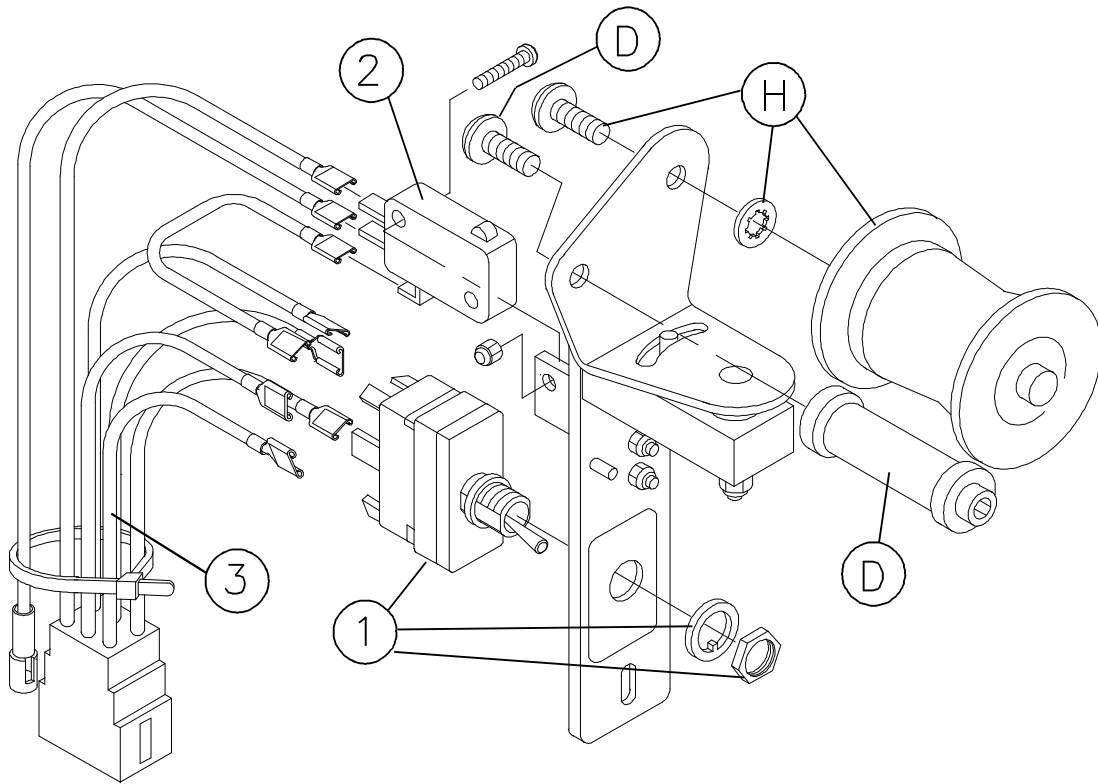
### AP Column Parts

- |   |  |
|---|--|
| A) 2604 Castor Swivel Assy, Left 35mm   | 14) 1071 Screw PTH 10-32 x 3/8"            |
| E) 1505 Castor Swivel Assy, Right 35mm  | 16) 1170 Column Bottom Castor Bracket 35mm |
| G) 1504 Column Shaft & Pulley Assy 35mm | 17) 1635 Resistor Locating Cup A.P.        |
| 1) 2369 Variac Assembly A.P.            | 18) 1145 Resistor, 2 ohm 100 watt          |
| 2) 1063 SHCS 3/8-16 x 5/8"              | 19) 1062 HHCS 5/16-18 x 5"                 |
| 3) 1659 Feed Castor Assembly A.P.       | 20) 1080 Lockwasher 5/16", Split Ring      |
| 4) 1076 Flatwasher 1/4"                 | 21) 2395 Locknut, nylon insert 1/4-20      |
| 5) 1056 HHCS 1/4-28 x 3/4"              | 22) 1836 Receptacle, 1 Circuit CPS         |
| 6) 1088 Locknut, Nylon Insert 1/4-28    | 26) 3331 Column End Cap                    |
| 7) 1055 HHCS 1/4-28 x 1/2"              | 27) 1090 Nut Hex 5/16-18                   |
| 8) 1168 Column Feed Pulley Bracket 1L   | 28) 1991 Spool 35 mm                       |
| 9) 1179 Bushing, Open/Closed 7/8"       | 29) 1173 Column Pulley Shaft               |
| 10) 1839 Plug, 6 Circuit CPS            | 33) 1072 Screw PTH 10-32 x 1/2"            |
| 11) 1708 Pin, CPS                       | 34) 1075 Flatwasher #10                    |
| 12) 1840 Receptacle, 6 Circuit CPS      | 35) 1079 Lockwasher 1/4"                   |
| 13) 1709 Socket, CPS                    | 36) 3402 Column Payout Swivel Mnt. Brkt.   |



### **AP Take-Up**

- C) 1447 Pulley Shaft #6 & Pulley Assy 35mm
- D) 2602 Keeper Shaft & Spool Assy
- 1) 1238 Take-up Rail
- 2) 1236 Take-Up Upper Bracket
- 3) 1237 Take-Up Lower Bracket
- 4) 1675 Take-Up Slide Plate & Bushing Assy A.P.
- 5) 2629 Take-Up Slide Shaft & Roller Assy
- 7) 2067 Take-up Stop Bumper
- 8) 1465 Take-Up Stop Pin
- 9) 1234 Take-Up Stop Pin Spring
- 10) 1050 E Ring 5/16"
- 11) 1071 Screw PTH 10-32 x 3/8"
- 12) 1078 Lockwasher #10, Internal Tooth
- 14) 1087 Nut Hex 1/4-28
- 15) 2660 Ball Swivel 1/4-28
- 16) 2247 Variac Linkage Rod A.
- 17) 2272 Variac Linkage Rod Assembly A.
- 18) 1055 HHCS 1/4-28 x 1/2"
- 19) 1670 Take-Up Assy. A.P. 35mm 3-Deck

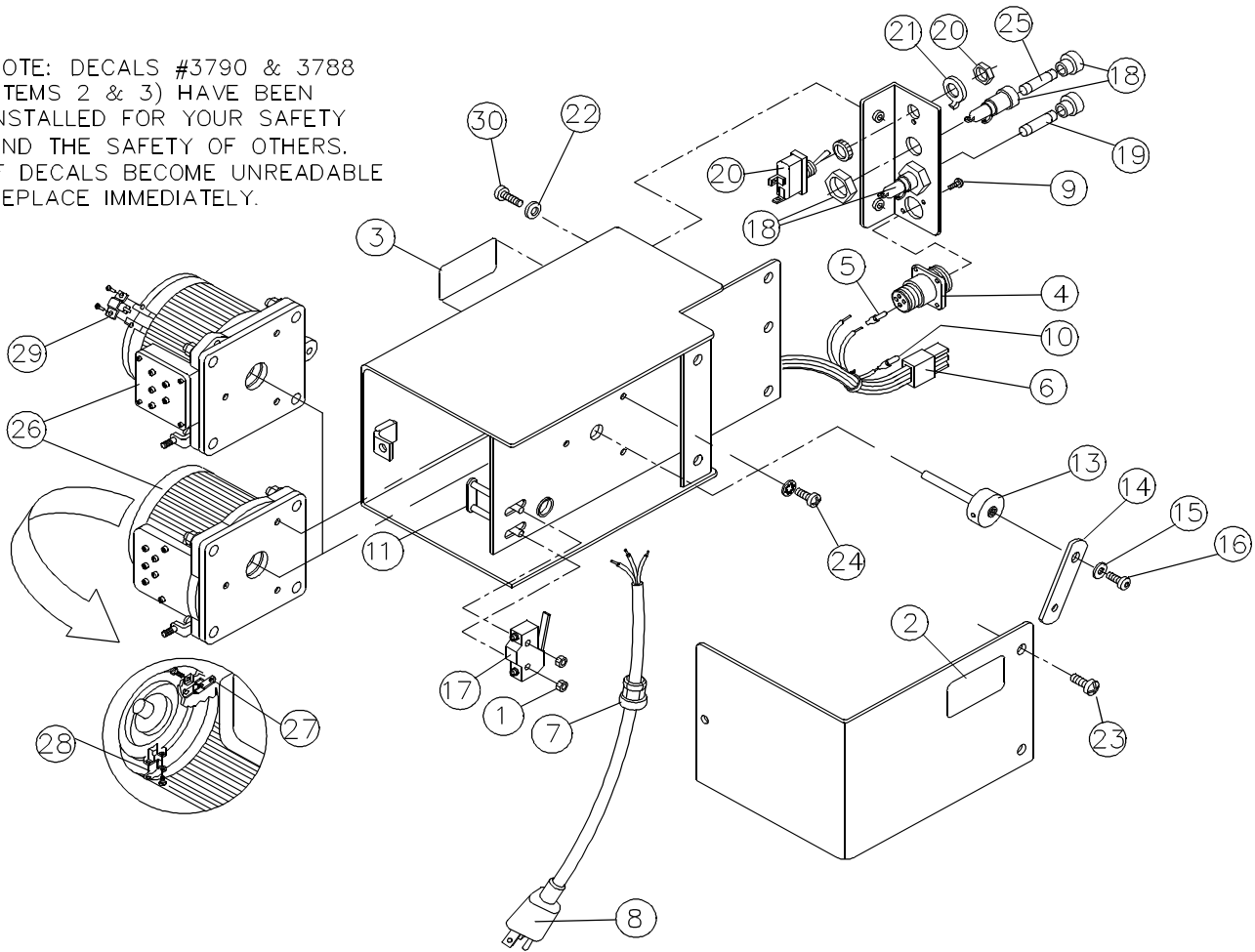


## **AP Feed Castor Assembly**

1659 Feed Castor Assy AP

- D) 2602 Keeper Shaft & Spool Assy
- H) 1774 Pulley Shaft #5 & Pulley Assy 35mm
- 1) 1053 Toggle Switch DPDT On-None-On (spade)
- 2) 1152 Feed Castor Switch
- 3) 1359 Feed Castor Wire Harness A.P.

NOTE: DECALS #3790 & 3788  
(ITEMS 2 & 3) HAVE BEEN  
INSTALLED FOR YOUR SAFETY  
AND THE SAFETY OF OTHERS.  
IF DECALS BECOME UNREADABLE  
REPLACE IMMEDIATELY.

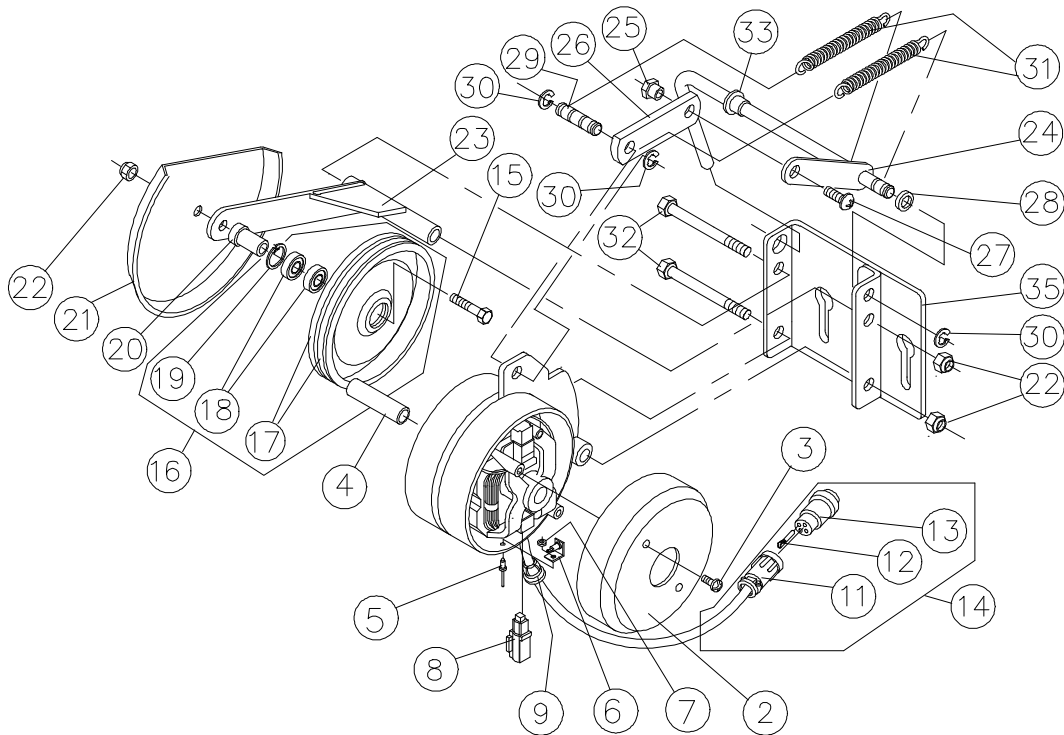


## **AP Variac**

2369 Variac Assembly AP 3

- |   |  |
|---|--|
| 1) 1083 Nut Hex 6-32                            | 16) 1233 Button Head Socket Cap Screw 10-32 X 3/8" |
| 2) 3790 Decal, Cord                             | 17) 2536 Micro Switch-Flat Blade-HD                |
| 3) 3788 Decal, Fuse                             | 18) 1009 Fuse Holder                               |
| 4) 2056 Receptacle 4 Pin (std sex)              | 19) 2338 Fuse 1 1/2 Amp 250v.                      |
| 5) 2064 Pin, CPC                                | 20) 2853 Toggle Switch SPDT On-Off-On (Solder)     |
| 6) 1840 Receptacle, 6 Circuit CPS               | 21) 1081 Washer Switch Keyed                       |
| 7) 2391 Strain Relief 5/8 x .125 (.325/.36 dia) | 22) 1075 Flatwasher #10                            |
| 8) 1029 Power Cord 3 Wire                       | 23) 1071 Screw PTH 10-32 x 3/8"                    |
| 9) 2521 Screw PPH #8 x 3/8" Type 25             | 24) 1091 Screw PPH 10-24 X 3/8" Type F             |
| 10) 1709 Socket, CPS                            | 25) 2265 Fuse 8 Amp 125v                           |
| 11) 1469 Switch Adjusting Plate Assy            | 26) 1006 Transformer 110v Replacement Kit*         |
| 13) 1643 Variac Shaft & Hub Sub-assembly Type 2 | *27) 2103 Contact Assembly, Variac (Staco 1010)    |
| 14) 1640 Variac Link Type 2                     | *28) 1005 Brush, Variac (Staco 1010)               |
| 15) 1075 Flatwasher #10                         | *29) 4445 Brush, Variac (Powerstat 116CU)          |

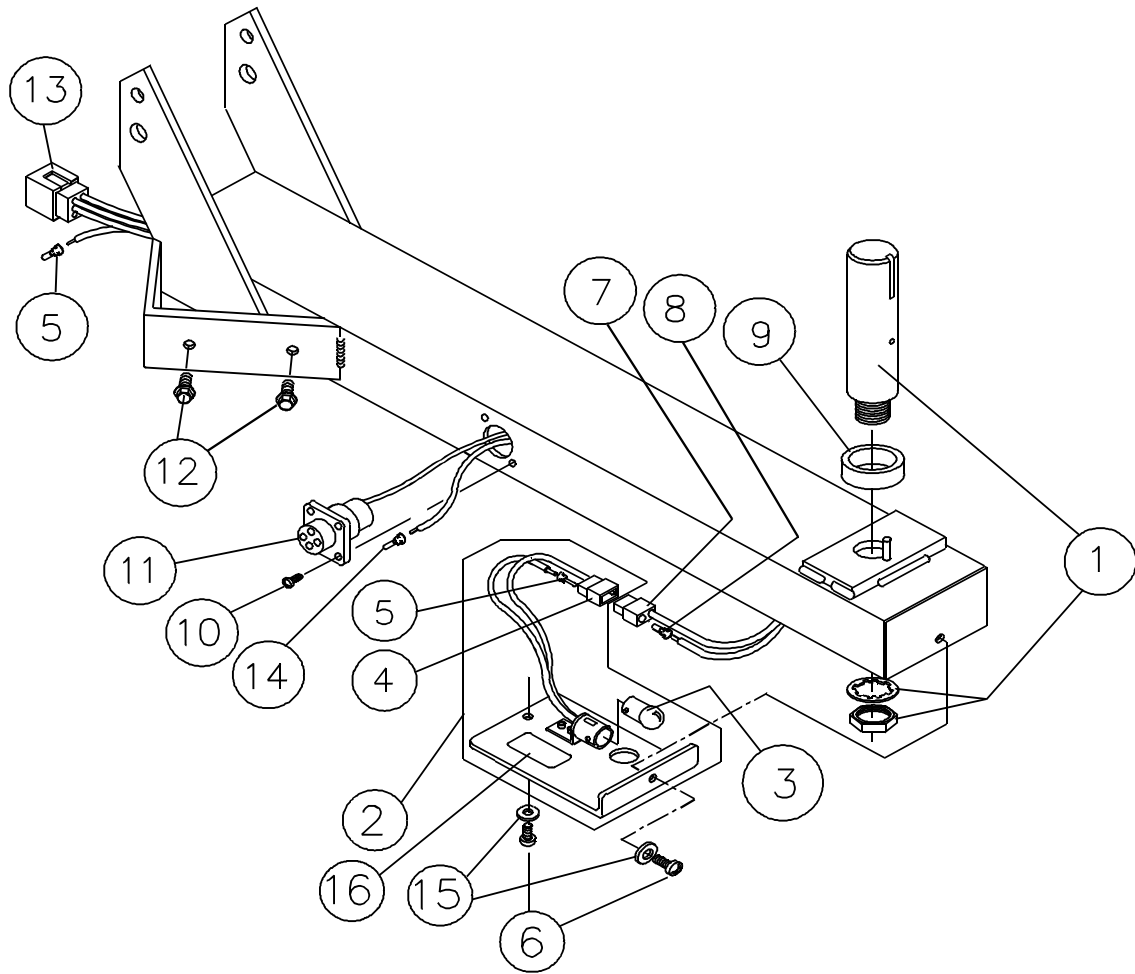
\* Refer to the transformer face plate for manufacturer's name and model number. Order replacement parts for the manufacturer specified. No replacement contact is required for Powerstat transformers. Transformers are interchangeable.



### **AP Drive Motor**

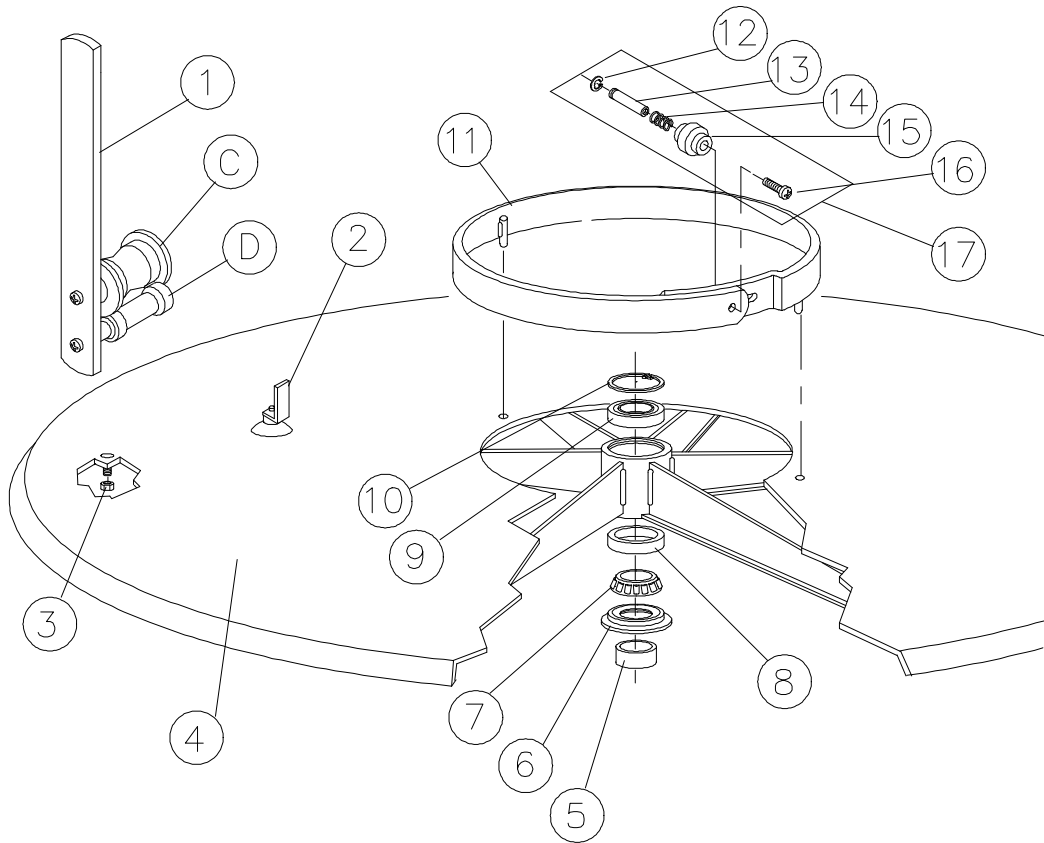
1740 Drv Mtr Assy Type 4 A.P.

- |  |   |
|--|---|
| 2) 1192 Drv Mtr End Cover                    | 20) 1633 Drive Motor Wheel Spacer Type 3              |
| 3) 1091 Screw PPH 10-24 x 3/8" Type F        | 21) 1632 Drive Motor Wheel Shield Type 3              |
| 4) 1630 Drv Mtr Hub Type 3, 3/8" dia         | 22) 1088 Locknut, Nylon Insert 1/4-28                 |
| 5) 1052 Pop Rivet 1/8" X 5/16" Steel         | 23) 1620 Drive Motor Wheel Arm Weldment Type 3        |
| 6) 1775 Drv Mtr Diode & Brkt Assy            | 24) 1618 Drive Motor Toggle Handle Weldment Type 3    |
| 7) 2026 Back-Up Plt Pop Rivet 1/8"           | 25) 1631 Drive Motor Linkage Connector Type 3         |
| 8) 1004 Brush Motor 115 volt (1 pair)        | 26) 1634 Drive Motor Connector Link Type 3            |
| 9) 2856 Strain Relief 5/8 x .062             | 27) 1071 Screw PTH 10-32 x 3/8"                       |
| 11) 2070 Clamp Cable #11                     | 28) 1546 Washer, Fiber 5/16" x 7/16" x .015"          |
| 12) 2064 Pin Male                            | 29) 1402 Drive Motor Spring Pin                       |
| 13) 2069 Plug 4 Pin                          | 30) 1050 E Ring 5/16"                                 |
| 14) 1615 Drv Motor Plug Wire Harness A.P.    | 31) 1818 Drive Motor Spring Type 3                    |
| 15) 2370 HHCS 1/4-28 x 1 1/4"                | 32) 3009 HHCS 1/4-28 x 3 3/4"                         |
| 16) 2140 Drive Motor Wheel Assy              | 33) 1128 Bushing Plastic 1/2"                         |
| 17) 2362 Drive Motor Rubber Tire             | 35) 2796 Drive Motor Adjustment Plate Assembly Type 4 |
| 18) 2066 Bearing Drive Wheel 7/8 OD x 3/8 ID |   |
| 19) 2224 Retaining Ring Internal 7/8"        |   |



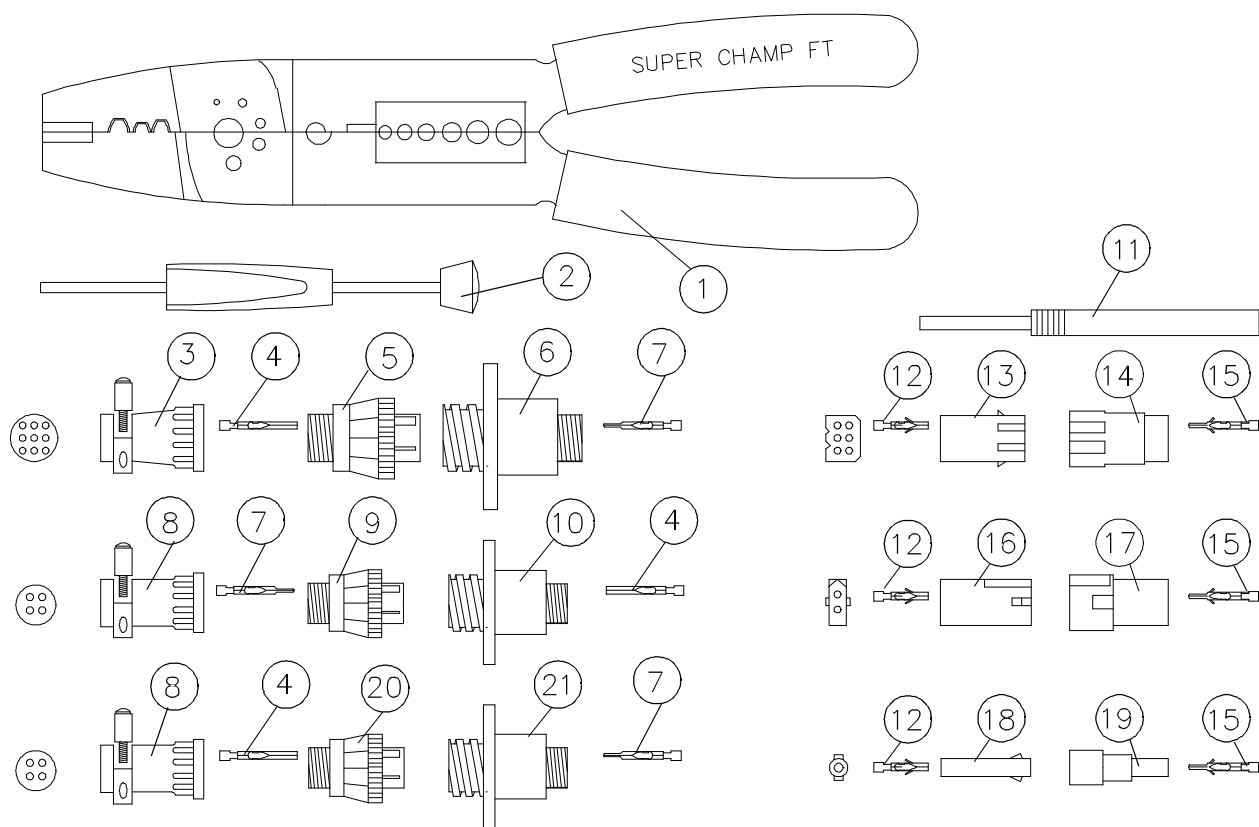
### **AP Arm**

- 1) 2359 Arm Spindle Plug In Retrofit
- 2) 1653 Arm Light Cover Assembly A.P.
- 3) 2129 Bulb 115v Bayonette Base
- 4) 1837 Plug, 2 Circuit CPS
- 5) 1708 Pin, CPS
- 6) 1071 Screw PTH 10-32 x 3/8"
- 7) 1838 Receptacle, 2 Circuit CPS
- 8) 1709 Socket, CPS
- 9) 1183 Arm Bearing Spacer
- 10) 1065 Screw PTH 6-32 x 1/4"
- 11) 2068 Receptacle 4 Pin
- 12) 2367 HWHS 1/4-20 x 5/8"
- 13) 1839 Plug, 6 Circuit CPS
- 14) 2063 Socket, CPC
- 15) 1075 Flatwasher #10
- 16) 3787 Decal, Bulb Replacement



### **Disk, Center Ring & Projector Arm**

- C) 1447 Pulley Shaft #6 & Pulley Assy 35mm
- D) 2602 Keeper Shaft & Spool Assy
- 1) 1515 Projector Arm Assy 35mm (Includes C & D)
- 2) 2225 Disk Suction Cup Assy
- 3) 1084 Locknut, Nylon Insert 6-32
- 4) 1865 One Disk Crated 52" or  
1854 One Disk Crated 42"
- 5) 1183 Arm Bearing Spacer
- 6) 1258 Disk Lower Bearing Grease Retainer
- 7) 1256 Disk Lower Bearing
- 8) 1257 Disk Lower Bearing Race Cup
- 9) 1254 Disk Upper Bearing
- 10) 1255 Disk Upper Bearing Retaining Ring
- 11) 1471 Center Ring Assy (includes item #17)
- 12) 1050 E Ring 5/16"
- 13) 1265 Shaft #9
- 14) 1266 Center Ring Knob Spring
- 15) 1264 Center Ring Knob
- 16) 1070 Screw PFH 8-32 x 3/8"
- 17) 1827 Center Ring Knob Assy



- 1) 2674 Pin Crimping Tool
- 2) 2673 Pin Extraction Tool CPC
- 3) 2071 Clamp Cable #13
- 4) 2063 Socket CPC
- 5) 2078 Plug 9 Pin
- 6) 2077 Receptacle 9 Pin
- 7) 2064 Pin CPC
- 8) 2070 Clamp Cable #11
- 9) 2069 Plug 4 Pin
- 10) 2068 Receptacle 4 Pin

- 11) 2669 Pin Extraction Tool CPS
- 12) 1709 Socket, CPS
- 13) 1840 Receptacle, 6 Circuit CPS
- 14) 1839 Plug, 6 Circuit CPS
- 15) 1708 Pin, CPS
- 16) 1838 Receptacle, 2 circuit CPS
- 17) 1837 Plug, 2 Circuit CPS
- 18) 1836 Receptacle, 1 Circuit CPS
- 19) 1835 Plug, 1 Circuit CPS
- 20) 2057 Plug, 4 Pin - (std sex)
- 21) 2056 Receptacle 4 Pin - (std sex)