



**MODEL MSC SERIES
PROJECTOR MECHANISMS
PARTS LIST**



**STRONG
INTERNATIONAL, INC.
4350 McKinley St.
Omaha, Nebraska 68112
402/453-4444**

CENTURY MODEL "MSC" PROJECTOR

TABLE OF CONTENTS

		PAGE NO.
Operating Side Door Assembly	H1-A-12	6
Drive Side Door Assembly	J1-A-13	6
Lens Bushing and Clamping Screw Assembly	C1-T-160X	6
Intermittent Carriage and Shutter Adjustment Assembly	C2-A-31	8
Intermittent Carriage Assembly	C2-A-33	8
Shutter Adjustment Screw and Collar Assembly	V1-A-32	9
Framing Shaft Assembly	C1-A-20	9
Framing Shaft and Pinion Assembly	C1-A-21	9
Intermittent Movement Assembly	H1-BB-30	11
Intermittent Cover Assembly	H1-BB-16	12
Inner Star Bushing Assembly	H1-BB-35	12
Front Sharwheel Bearing Bracket Assembly	H1-BB-34	12
Intermittent Case Assembly	H1-BB-17	12
Assembly, Inner Cam Bushing w/'O' Ring	H1-BB-36	13
Intermittent Sprocket Pad and Arm Assembly	C1-BB-26	13
Intermittent Sprocket Pad Assembly	C1-BB-28	13
Intermittent Sprocket Pad Stud and Bushing Assembly	C1-BB-29	14
Intermittent Sprocket Pad Stud Assembly	C1-BB-29A	14
Cam Thrust Ball Bearing and Bracket Assembly	H1-BB-31	14
4-Inch Lens Mount Assembly	H1-A-60A	16
Lens Mount Bracket and Focus Rod Assembly	H1-A-59A	16
Curved Film Gate Assembly	A1-E-40	16
Film Gate Support Tube and Bracket Assembly	A1-A-70	17
Film Gate Lock Knob and Shaft Assembly	H1-A-66	17
Film Trap Assembly	A1-E-10	19
Lateral Guide Roller Assembly	A1-E-12	19
Film Trap Support Heat Shield and Gib Assembly	A1-E-70	20
Upper Pad Roller Arm Assembly	C1-C-10	20
Upper Pad Roller Arm Stud Knob and Bushing Assembly	C1-C-13	20
Lower Pad Roller Arm Assembly	C1-C-40	21
Lower Pad Roller, Arm Stud Knob and Bushing Assembly	C1-C-41	21
Single Shutter Shaft Bracket and Blade Assembly	H4-D-40X	23
Assembly, 100° Large Diameter Shutter Blade	C1-D-50S	23
Single Shutter Shaft and Bracket Assembly	H1-D-44X	23
Assembly, Front Shutter Bracket	C2-D-42	23
Assembly, Rear Shutter Bracket	C1-C-45	24
Shutter Guard Assembly	H1-D-46	26

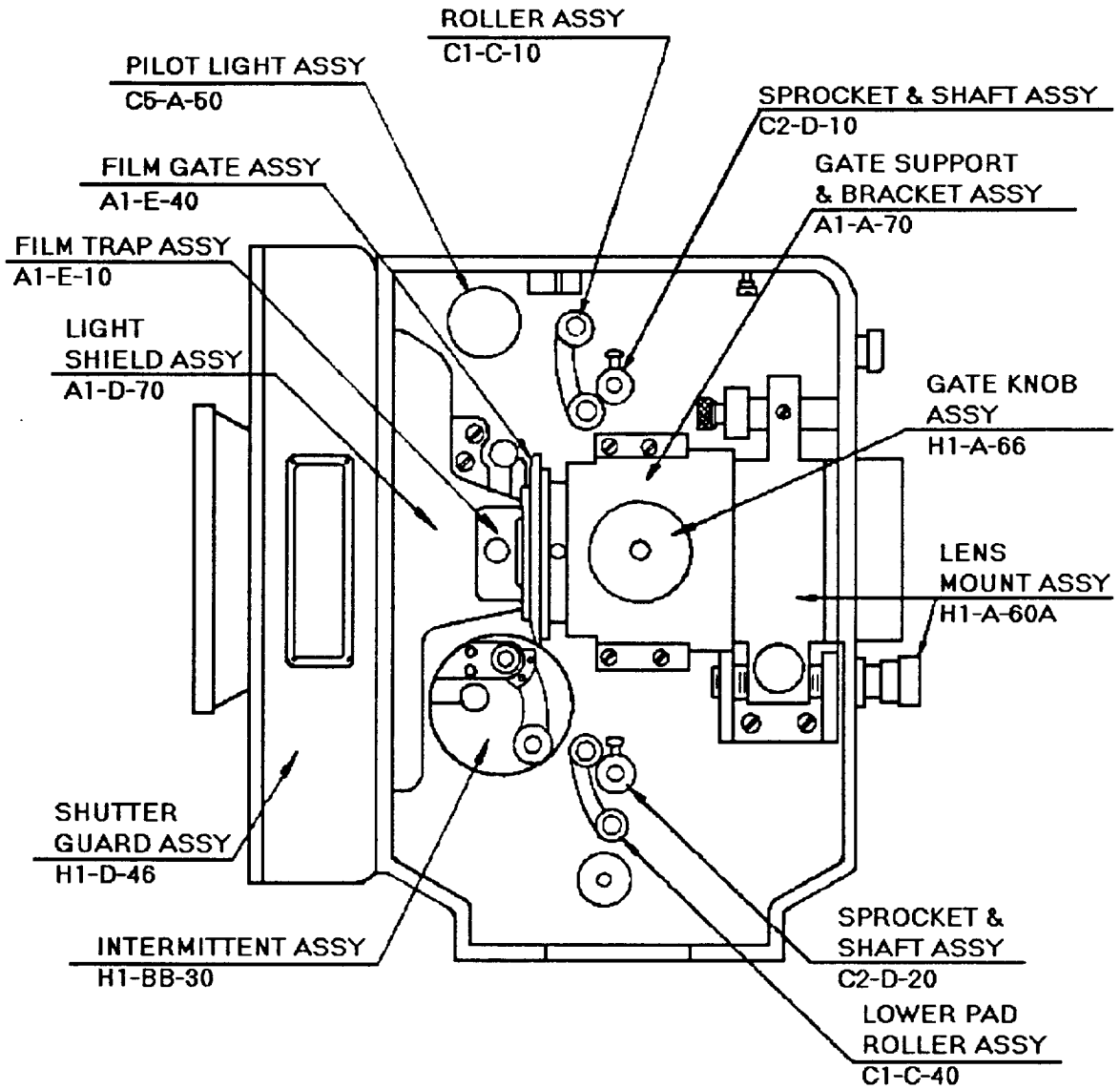
CENTURY MODEL "MSC" PROJECTOR

TABLE OF CONTENTS

		PAGE NO.
Fixed Shutter Guard Assembly	H1-D-43	26
Light Shield Assembly	A1-D-70	26
Pilot Light Assembly	C5-A-50	28
Pilot Light Shield Assembly	C3-A-53	28
Pilot Light Socket and Wire Assembly	C5-A-54	28
Pilot Light Socket Assembly	C3-A-55	28
Automatic Fire Shutter Assembly	C1-D-60	29
Upper and Lower Sprocket Shaft Assembly	C2-D-10	29
Vertical Shaft and Governor Assembly	M3-G-100B	31
Governor Weight Assembly, Single Shutter	C1-G-22	31
Vertical Shaft, Ball Bearing and Bracket Assembly	C1-G-31	32
Vertical Shaft Upper Thrust Collar Assembly	C1-G-44	32
Vertical Shaft, Key and Gear Assembly	C3-G-93	32
Vertical Shaft Bearing and Bracket Assembly	C1-G-95	32
Vertical Shaft Intermittent Drive and Bracket Assembly	C1-G-23	32
Vertical Shaft Intermittent Drive Gear Nut Assembly	C1-G-24	33
Main Shaft Drive Assembly	M5-G-111T	33
Double Shutter Shaft, Bracket, Gear, and Blade Assembly	J4-D-50	34
Double Shutter Blade and Hub Assembly, Inner	J8-D-51	34
Reverse Double Shutter Hub Assembly, Inner	C2-D-56	34
Double Shutter and Fan Blades, Inner, DDS, Indoor	C2-D-59	34
Double Shutter Blade and Hub Assembly	J8-D-52	35
Single and Double Shutter (Outer) Hub Assembly, Outer	C2-D-49	35
Double Shutter Intermediate Bracket, Gears and Ball Bearing Assembly	C2-D-55A	36
Direct Double Shutter Bracket and Ball Bearing Assembly	C2-D-53B	36
Gear and Ball Bearing Assembly (For Double Shutter)	C2-D-53A	36
Film Trap Support Water Cell Assembly	A2-E-70	37
Water Recirculator Assembly, 60 Cycle	C8-T-360	39
Water Drum, Cover and Pump Assembly, 60 Cycle	C8-T-364	39
Box, Switch and Squeeze Connector Assembly, 60 Cycle	C8-T-365	39

CENTURY MODEL "MSC" PROJECTOR

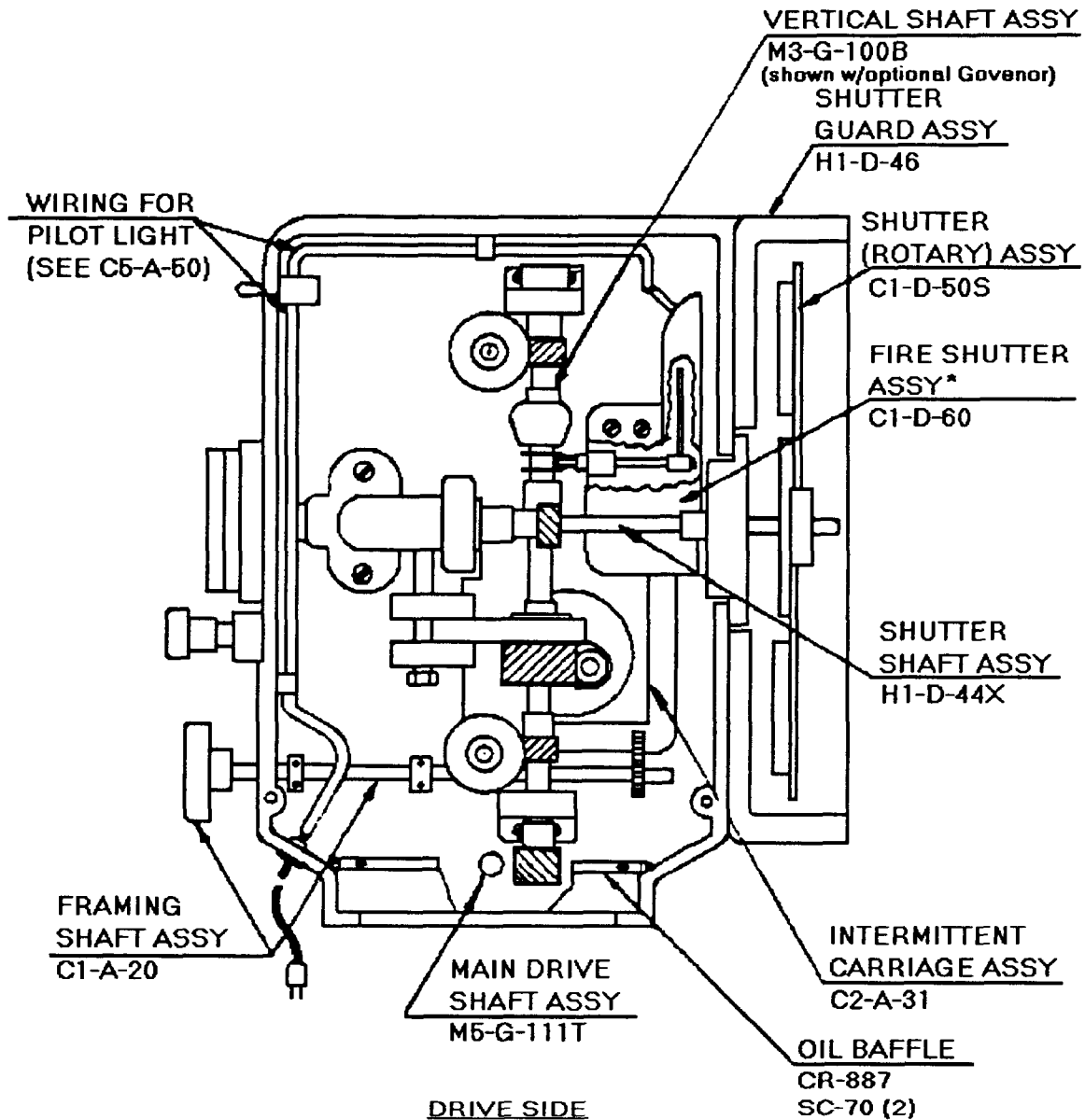
MAJOR ASSEMBLIES (DIRECT DRIVE)



OPERATING SIDE

CENTURY MODEL "MSC" PROJECTOR

MAJOR ASSEMBLIES (DIRECT DRIVE)

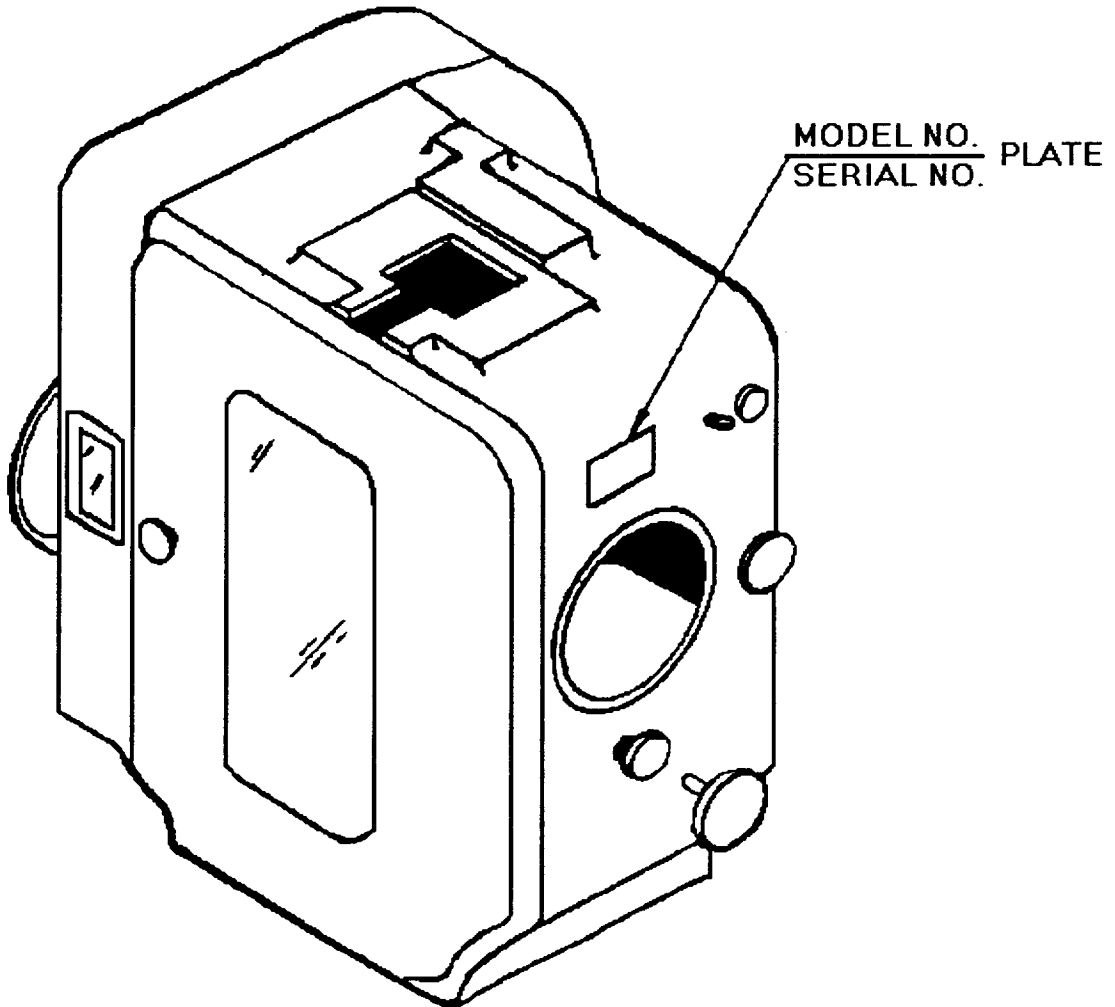


*OPTIONAL

NOTE: FOR DRIVE BELTS & PULLEYS
SEE REPRODUCER PARTS BOOK

CENTURY MODEL "MSC" PROJECTOR

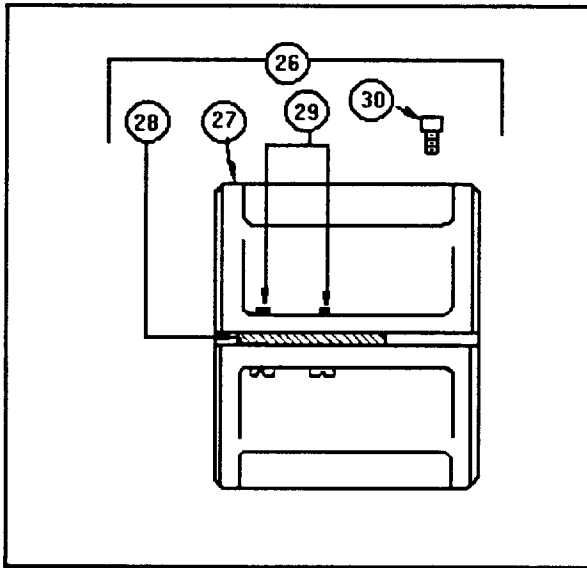
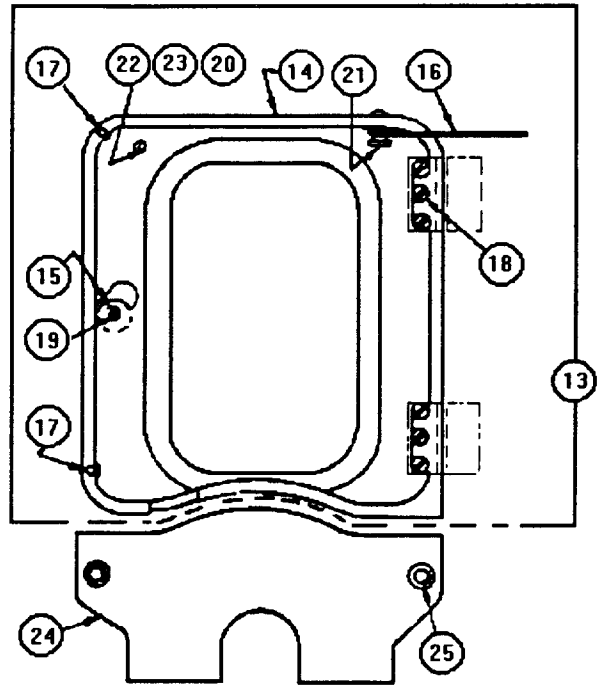
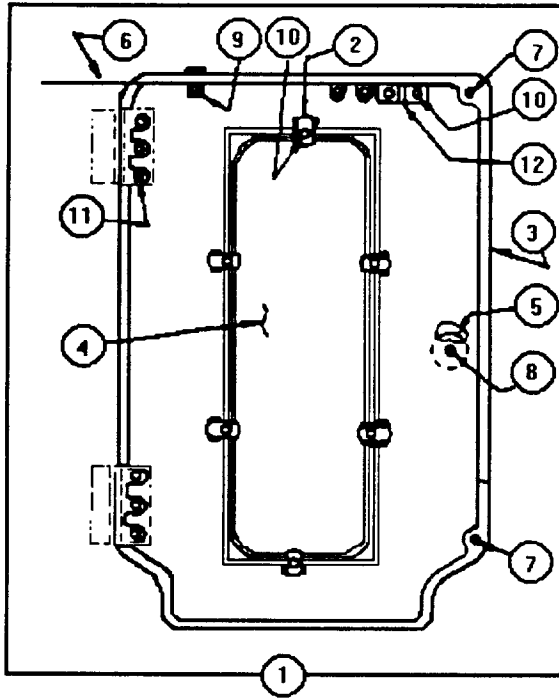
WHEN ORDERING PARTS INCLUDE:
MODEL NO.
SERIAL NO.
PART NO.



CENTURY MODEL "MSC" PROJECTOR

PART NO.	QTY	DESCRIPTION
H1-A-10	1	Main Frame and Miscellaneous Parts
A1-D-80	1	Dowser Guide
C1-A-11	4	Door Hinge and Pin Assembly
BU-29-D	4	Bushing, Upper and Lower Sprocket Shaft
CR-598	1	Cover, Drive Side (Lower)
CR-887	1	Cover, Grease Baffle
CT-86	2	Catch, Door
CU-22	2	Cup, Sprocket Shaft Oil
DC-40	1	Decal (UL)
FR-70	1	Frame, Main
PE-39	1	Plate, Name
PN-21	3	Pin, Film Gate Bracket, Lens Mount, Locating
PN-28	5	Pin, Film Trap and Shutter Bracket, Locating
PN-247	2	Pin, Carriage Stop (Lower and Upper)
SC-113	2	Screw, Drive Side Cover Fastener
SC-125	2	Screw, Name Plate Fastener
SC-905	2	Screw, Main Drive, Retaining Holding
SC-226	1	Screw, Door Stop Link
SC-565	4	Screw, Door Catch Fastener
SC-661	12	Screw, Door Hinge Mounting
SC-817	1	Screw, Vertical Shaft Drive Gear Safety
SC-76	1	Screw, Changeover Guide and Heat Shield
SC-70	2	Screw, Cover Fastener
SD-1130	1	Shield, Heat
PG-261	2	Plug, Button
SC-886	4	Screw, Upper Magazine Holding
RT-2	1	Retainer, Main Drive
SC-127	2	Screw, Main Drive Ball Bearing Retaining
DC-96	1	Decal, Main Drive Inst.
J1-A-14	1	Qtr. Turn Door Lock Receptacle

CENTURY MODEL "MSC" PROJECTOR



CENTURY MODEL "MSC" PROJECTOR

OPERATING SIDE DOOR ASSEMBLY (H1-A-12)

ITEM	PART NO.	QTY	DESCRIPTION
1	H1-A-12	1	Operating Side Door Assembly
2	CP-20	6	Clamp, Glass
3	DO-63	1	Door, Operating Side
4	GL-15	1	Glass, Door
5	KN-47	1	Knob, Door
6	LI-7	1	Link, Door
7	SB-60	2	Stop, Felt, Door
8	SC-1356	1	Screw, Door, Knob
9	SC-226	1	Screw, Door Link
10	SC-123	8	Screw, Glass and Strike
11	SC-70	6	Screw, Hinge
12	C1-A-76	1	Catch-Strike Door

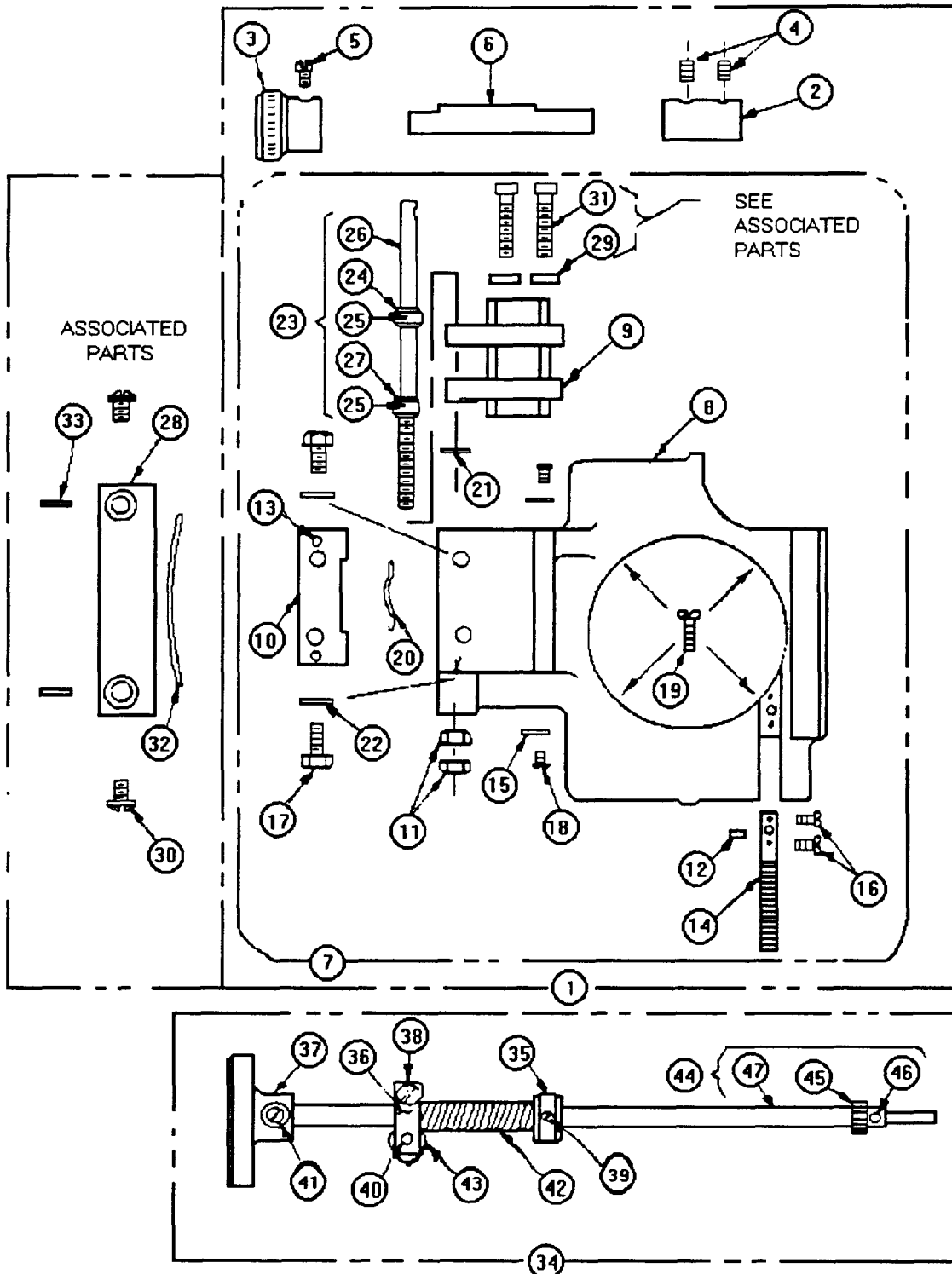
DRIVE SIDE DOOR ASSEMBLY (J1-A-13)

ITEM	PART NO.	QTY	DESCRIPTION
13	J1-A-13	1	Door, Drive Side Assembly
14	DO-72	1	Door, Drive Side
15	KN-47	1	Knob, Door
16	LI-7	1	Link, Door
17	SB-60	2	Stop, Felt, Door
18	SC-70	6	Screw, Hinge
19	SC-1356	1	Screw, Door Knob
20	ST-2465	1	Screw, Door Link
21	SC-226	1	Stud, Door Retainer
22	RI-0624	1	Ring, Retainer
23	SG-2464	1	Spring, Door Retainer
			INDIVIDUAL PARTS
24	CR-598	1	Cover, Operating Side
25	SC-113	2	Screw, Cover Fastening

LENS BUSHING AND CLAMPING SCREW ASSEMBLY (C1-T-160X)

ITEM	PART NO.	QTY	DESCRIPTION
26	C1-T-160X	1	Lens Bushing and Clamping Screw Assembly
27	BU-193X	1	Bushing, Lens
28	PE-1040	1	Plate, Bushing, Rubber
29	SC-574	2	Screw, Clamping
30	SC-2238X	1	Screw, Locating

CENTURY MODEL "MSC" PROJECTOR



CENTURY MODEL "MSC" PROJECTOR

INTERMITTENT CARRIAGE AND SHUTTER ADJUSTMENT ASSEMBLY (C2-A-31)

ITEM	PART NO.	QTY	DESCRIPTION
1	C2-A-31	1	Intermittent Carriage and Shutter Adjustment Assembly
	C2-A-33	1	Assembly, Carriage
2	CG-14	1	Coupling, Shutter Adj.
3	KN-43	1	Knob, Shutter Adj.
4	SC-77	2	Screw, Shutter Adj.
5	SC-803	1	Screw, Shutter Adj.
6	ST-2378	1	Shaft, Shutter Adj.

INTERMITTENT CARRIAGE ASSEMBLY (C2-A-33)

ITEM	PART NO.	QTY	DESCRIPTION
7	C2-A-33	1	Intermittent Carriage Assembly
	V1-A-32	1	Assembly, Shutter Adj. Screw
8	CA-4	1	Carriage, Intermittent
9	BR-12	1	Bracket, Shutter Adj.
10	GI-6	1	Gib, Shutter Adj.
11	NU-70	1	Nut, Shutter Adj.
12	PN-22	1	Pin, Carriage Rack
13	PN-811	2	Pin, Shutter Adj. Gib
14	RK-4	1	Rack, Framing
15	RT-3	2	Retainer, Carriage Spring
16	SC-75	2	Screw, Framing Rack
17	SC-78	2	Screw, Shutter Adj., Gib
18	SC-82	2	Screw, Carriage Spring Retaining
19	SC-106	4	Screw, Intermittent Retaining
20	SG-100	1	Spring, Shutter Adj. Bracket
21	WA-11	1	Washer, Shutter Adj.
22	WA-132	2	Washer, Lock, Shutter Adj. Gib

CENTURY MODEL "MSC" PROJECTOR

SHUTTER ADJUSTMENT SCREW AND COLLAR ASSEMBLY (V1-A-32)

ITEM	PART NO.	QTY	DESCRIPTION
23	V1-A-32	1	Shutter Adjustment Screw and Collar Assembly
24	* CL-7	1	Collar, Shutter Adj. Shaft
25	* PN-103	2	Pin, Shutter Adj. Shaft
26	* SC-61	1	Screw, Shutter Adj. Shaft
27	* CL-195	1	Collar, Shutter Adj. Shaft
			ASSOCIATED PARTS
28	GI-1	1	Gib, Carriage
29	SA-752	2	Spacer, Shutter Adj. Bracket
30	SC-71	2	Screw, Carriage Gib
31	SC-751	2	Screw, Shutter Adj. Bracket
32	SG-928	1	Spring, Carriage Gib
33	WA-132	2	Washer, Carriage Gib

FRAMING SHAFT ASSEMBLY (CI-A-20)

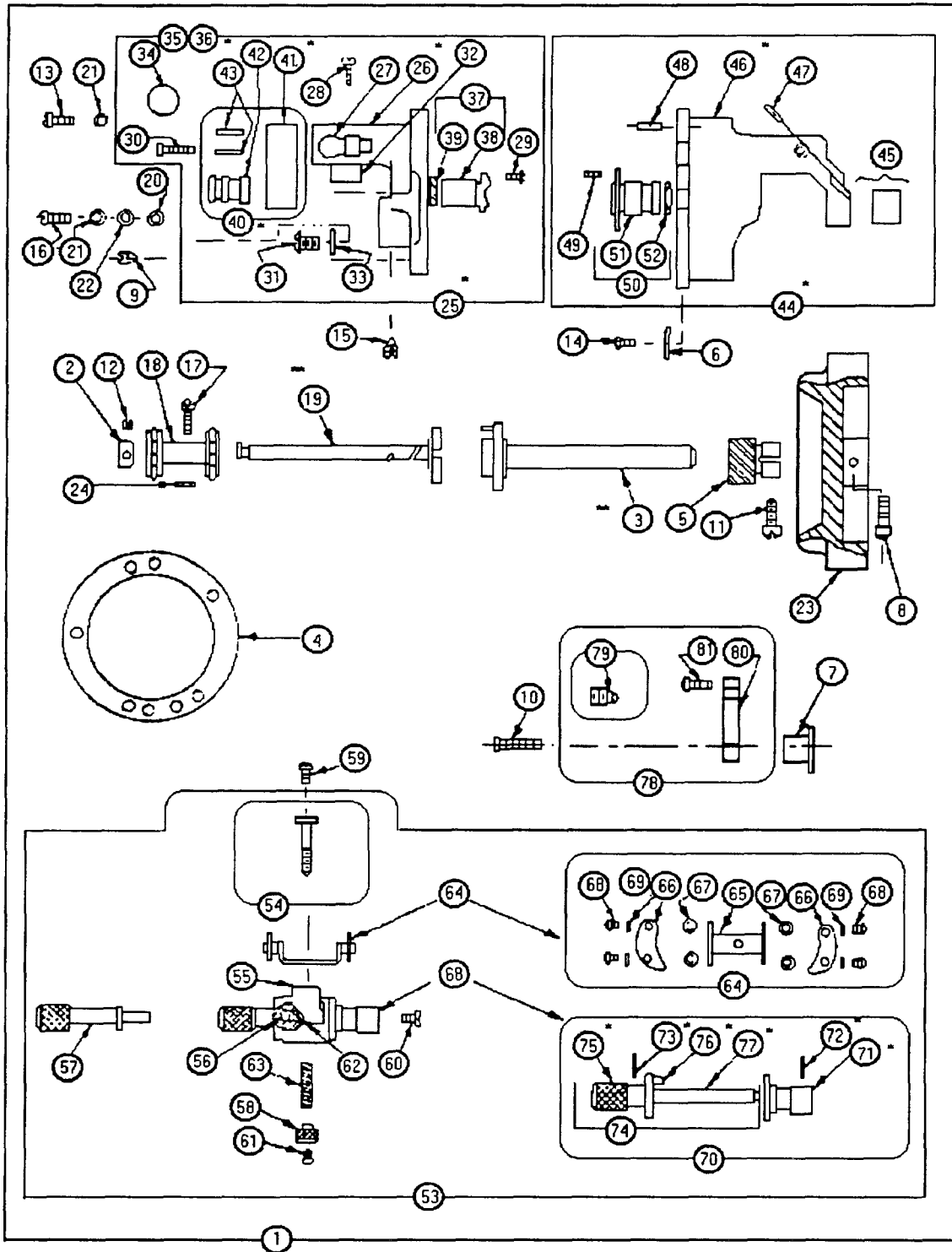
ITEM	PART NO.	QTY	DESCRIPTION
34	C1-A-20	1	Framing Shaft Assembly
	C1-A-21	1	Assembly, Pinion Gear
35	CL-12	1	Collar, Framing Shaft
36	CP-1	2	Clamp, Framing Shaft, Outer
37	KN-44	1	Knob, Framing Shaft
38	SC-73	1	Screw, Framing Shaft
39	SC-74	1	Screw, Framing Shaft
40	SC-132	1	Screw, Framing Shaft
41	SC-1651	1	Screw, Framing Shaft
42	SG-41	1	Spring, Framing Shaft
43	WA-11	1	Washer, Framing Shaft

FRAMING SHAFT AND PINION ASSEMBLY (C1-A-21)

ITEM	PART NO.	QTY	DESCRIPTION
44	C1-A-21	1	Framing Shaft and Pinion Assembly
45	* PI-4	1	Pinion, Framing Shaft
46	* PN-29	1	Pin, Framing Shaft
47	* ST-1	1	Shaft, Framing

*Not sold separately

CENTURY MODEL "MSC" PROJECTOR



CENTURY MODEL "MSC" PROJECTOR

INTERMITTENT MOVEMENT ASSEMBLY (H1-BB-30)

ITEM	PART NO.	QTY	DESCRIPTION
1	H1-BB-30	1	Intermittent Movement Assembly
	H1-BB-16	1	Assembly, Intermittent Cover
	H1-BB-17	1	Assembly, Intermittent Case
	C1-BB-26	1	Assembly, Sprocket Pad
	H1-BB-31	1	Assembly, Cam Thrust
2	CL-624	1	Collar, Starwheel Shaft
3	** CM-528	1	Cam, Intermittent
4	GA-181	1	Gasket, Intermittent Case
5	GR-7	1	Gear, Cam Shaft
6	PE-38	1	Plate, Stop, Intermittent
7	SA-1321	1	Spacer, Cam Thrust
8	SC-915	1	Screw, Flywheel
9	SC-39	2	Screw, Adjustment Starwheel/Cam
10	SC-69	1	Screw, Cam Thrust
11	SC-81	1	Screw, Gear
12	SC-579	2	Screw, Starwheel Collar
13	SC-1047	1	Screw, Intermittent Cover
14	SC-2309	1	Screw, Stop Plate
15	SC-155	1	Screw, Pad Retaining
16	SC-1010	1	Screw, Oil Drain
17	SC-1322	1	Screw, Sprocket
18	SK-2205	1	Sprocket, Intermittent
19	** SX-1323	1	Starwheel, Intermittent
20	WA-12	1	Washer, Copper/Oil Drain
21	WA-65	5	Washer, Intermittent Cover
22	WA-126	1	Washer, Fiber/Oil Drain
23	WH-199	1	Flywheel, Intermittent
24	NU-81	1	Nut, Intermittent Sprocket

CENTURY MODEL "MSC" PROJECTOR

INTERMITTENT COVER ASSEMBLY (H1-BB-16)

ITEM	PART NO.	QTY	DESCRIPTION
25	* H1-BB-16	1	Intermittent Cover Assembly
	H1-BB-35	1	Assembly, Inner Star Bushing w/"O" Ring
	H1-BB-34	1	Assembly, Front Starwheel Bearing Bracket
26	* CR-297	1	Cover, Intermittent
27	CU-658	1	Cup, Oil, Case, Intermittent
28	SC-94	1	Screw, Stripper, Intermittent
29	SC-105	3	Screw, Star Bushing, Inner
30	SC-1190	2	Screw, Allen, Bracket, Outer
31	SC-217	1	Screw, Cam Adjusting, Plug, Cover
32	SP-1326	1	Stripper, Film Cover
33	WA-28	1	Washer, Cam Adjusting, Plug, Cover
34	GG-19	1	Window, Oil Level
35	GA-20	1	Gasket, Oil Gauge, Eiber
36	NU-10	1	Nut, Oil Gauge

INNER STAR BUSHING ASSEMBLY (H1-BB-35)

ITEM	PART NO.	QTY	DESCRIPTION
37	H1-BB-35	1	Inner Star Bushing Assembly
38	* BU-1256	1	Bushing, Inner, Starwheel
39	RI-576	1	"O" Ring, Star, Seal

FRONT STARWHEEL BEARING BRACKET ASSEMBLY (H1-BB-34)

ITEM	PART NO.	QTY	DESCRIPTION
40	*H1-BB-34	1	Front Starwheel Bearing Bracket Assembly
41	* BR-644	1	Bracket, Star, Outer
42	BU-646-N	1	Bushing, Star, Outer
43	* PN-665	2	Pin, Star Bracket

INTERMITTENT CASE ASSEMBLY (H1-BB-17)

ITEM	PART NO.	QTY	DESCRIPTION
44	* H1-BB-17	1	Intermittent Case Assembly
	H1-BB-36	1	Assembly, Inner Cam Bushing w/"O" Ring
45	BU-40-N	1	Bushing, Cam, Outer
46	* CS-529	1	Case, Intermittent
47	PG-159	1	Plug, Felt
48	PN-32	1	Pin, Pivot, Case to Cover
49	SC-7	3	Screw, Cam Bushing

CENTURY MODEL "MSC" PROJECTOR

ASSEMBLY, INNER CAM BUSHING W/"O" RING (H1-BB-36)

ITEM	PART NO.	QTY	DESCRIPTION
50	H1-BB-36	1	Assembly, Inner Cam Bushing w/"O" Ring
51	* BU-1257	1	Bushing, Cam, Inner
52	RI-577	1	"O" Ring, Cam, Seal

INTERMITTENT SPROCKET PAD AND ARM ASSEMBLY (C1-BB-26)

ITEM	PART NO.	QTY	DESCRIPTION
53	C1-BB-26	1	Intermittent Sprocket Pad and Arm Assembly
54	C1-BB-27	1	Intermittent Pad Spring Stud and Plate Assembly
	C1-BB-28	1	Assembly, Sprocket Pad
	C1-BB-29	1	Assembly, Pad Stud
55	AR-46	1	Arm, Intermittent Pad
56	BL-18	1	Ball, Intermittent Pad
57	KN-30	1	Knob, Intermittent Pad
58	NU-46	1	Nut, Intermittent Pad
59	SC-82	1	Screw, Intermittent Pad
60	SC-127	1	Screw, Knob, Intermittent Pad
61	SC-708	1	Screw, Nutstop, Intermittent Pad
62	SG-21	1	Spring, Ball, Intermittent Pad
63	SG-1464	1	Spring, Pad Adj.
	C1-BB-27	1	Intermittent Pad Spring Stud and Plate Assembly
	* PE-192	1	Plate
	* SU-702	1	Stud

INTERMITTENT SPROCKET PAD ASSEMBLY (C1-BB-28)

ITEM	PART NO.	QTY	DESCRIPTION
64	C1-BB-28	1	Intermittent Sprocket Pad Assembly
65	PA-194	1	Pad, Sprocket, Inner
66	PA-195	2	Pad, Sprocket, Outer
67	SA-33	4	Spacer, Sprocket Pad
68	SC-877	4	Screw, Sprocket Pad
69	WA-151	4	Washer, Sprocket Pad

CENTURY MODEL "MSC" PROJECTOR

INTERMITTENT SPROCKET PAD STUD AND BUSHING ASSEMBLY (C1-BB-29)

ITEM	PART NO.	QTY	DESCRIPTION
70	C1-BB-29	1	Intermittent Sprocket Pad Stud and Bushing Assembly
	*C1-BB-29A	1	Intermittent Sprocket Pad Stud Assembly
71	* BU-27	1	Bushing, Pad Stud
72	* PN-25	1	Pin, Pad Stud
73	PN-68	1	Pin, Lock

INTERMITTENT SPROCKET PAD STUD ASSEMBLY (C1-BB-29A)

ITEM	PART NO.	QTY	DESCRIPTION
74	*C1-BB-29A	1	Intermittent Sprocket Pad Stud Assembly
75	* KN-24	1	Knob, Pad Stud
76	* PN-36	1	Pin, Stop, Pad Stud
77	* SU-4	1	Stud, Sprocket Pad

CAM THRUST BALL BEARING AND BRACKET ASSEMBLY (H1-BB-31)

ITEM	PART NO.	QTY	DESCRIPTION
78	H1-BB-31	1	Cam Thrust Ball Bearing and Bracket Assembly
79	C1-BB-11	1	Intermittent Cam Thrust Ball Bearing Assembly
80	BR-643	1	Bracket, Cam Thrust
81	SC-85	1	Screw, Cam Thrust

*Not sold separately

**Recommend ordering as "Matched Parts"

CENTURY MODEL "MSC" PROJECTOR

4" LENS MOUNT ASSEMBLY (H1-A-60A)

ITEM	PART NO.	QTY	DESCRIPTION
1	H1-A-60A	1	4" Lens Mount Assembly
	H1-A-59A	1	Lens, Mount Bracket and Focus Rod Assembly
2	CL-554	1	Collar, Focus
3	KN-45	1	Knob, Focus
4	PG-301	1	Plug, Focus Screw
5	SA-1226	1	Spacer, Focus
6	SC-72	1	Screw, Focus Knob
7	SC-105	3	Screw, Focus
8	SC-678	1	Screw, Focus
9	SC-501	2	Screw, Focus
10	SC-1229	1	Screw, Lens Clamp
11	SC-1236	2	Screw, Focus
12	SC-1362	1	Screw, Focus
13	SC-1231	2	Screw, Lens Clamp
14	WA-163	2	Washer, Focus
15	SG-999	1	Spring, Focus
16	SC-579	2	Screw, Lens Clamp
17	WA-203	1	Washer, Lens Clamp
			ASSOCIATED PARTS
18	SC-88	3	Screw, Lens Clamp
19	SC-137	4	Screw, Lens Mount
20	SU-1673	1	Stud, Lens Clamp
21	BU-795	1	Bushing, Lens Mount Eccentric
22	NU-79	1	Nut, Lens Mount Eccentric

LENS MOUNT BRACKET AND FOCUS ROD ASSEMBLY (H1-A-59A)

ITEM	PART NO.	QTY	DESCRIPTION
23	H1-A-59A	1	Lens Mount Bracket and Focus Rod Assembly
24	* BR-601X	1	Bracket, Lens Mount
25	* BR-663	1	Bracket, Lens Mount Support
26	* RD-150	1	Rod, Focus

CURVED FILM GATE ASSEMBLY (A1-E-40)

ITEM	PART NO.	QTY	DESCRIPTION
27	A1-E-40	1	Curved Film Gate Assembly
28	A1-E-41	1	Film Gate Plate and Stud Assembly
29	PA-853	1	Pad, Gate
30	SC-114	2	Screw, Gate Pad

CENTURY MODEL "MSC" PROJECTOR

FILM GATE SUPPORT TUBE AND BRACKET ASSEMBLY (A1-A-70)

ITEM	PART NO.	QTY	DESCRIPTION
31	A1-A-70	1	Film Gate Support Tube and Bracket Assembly
	H1-A-66	1	Assembly, Gate Knob
32	** AD-97	1	Adapter, Film Gate
33	** BR-913	1	Bracket, Gate Support
34	EC-1	1	Eccentric, Gate Alignment
35	SC-2453	4	Screw, Gate Adapter
36	SC-131	2	Screw, Gate Knob Retaining
37	SC-144	1	Screw, Gate, Retaining, Thumb
38	SC-1355	1	Screw, Eccentric, Lock
39	** TU-172	1	Tube, Gate Support

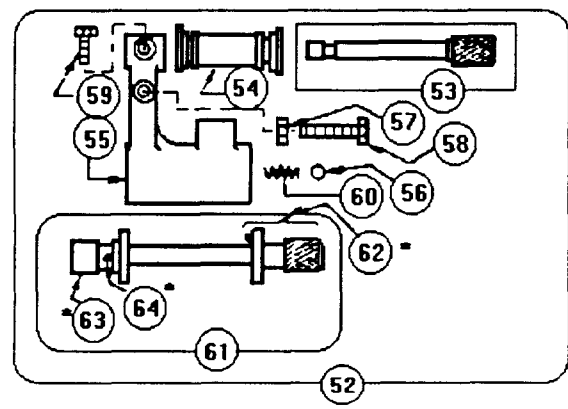
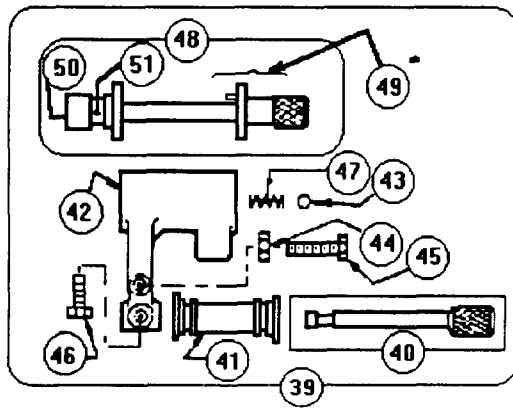
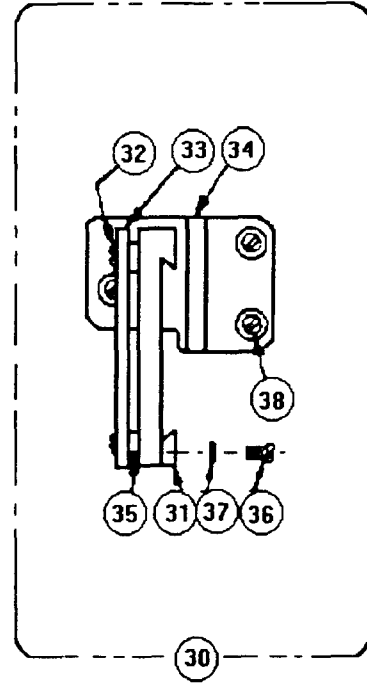
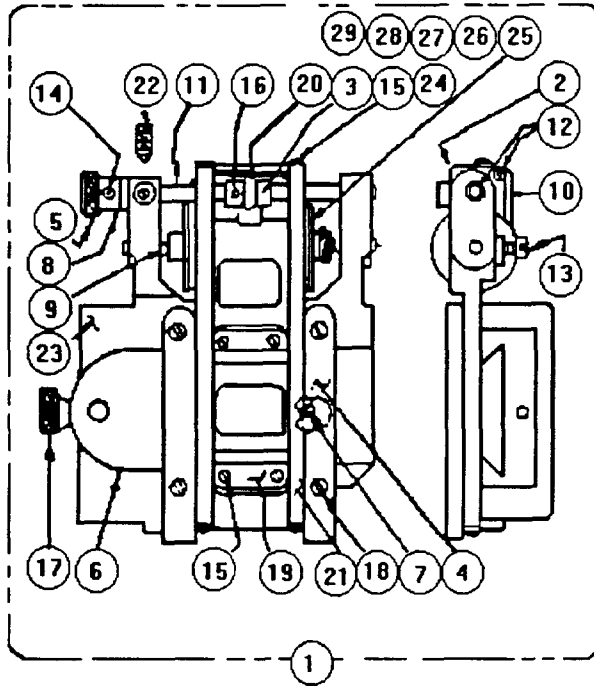
FILM GATE LOCK KNOB AND SHAFT ASSEMBLY (H1-A-66)

ITEM	PART NO.	QTY	DESCRIPTION
40	H1-A-66	1	Film Gate Lock Knob and Shaft Assembly
41	C1-A-67	1	Film Gate Lock Shaft and Pin Assembly
42	KN-27	1	Knob, Gate
43	LO-45	1	Lock, Gate Knob
44	SC-99	1	Screw, Gate Knob
45	SG-14	1	Spring, Gate Knob
46	WA-135	1	Washer, Gate Knob
			ASSOCIATED PARTS
47	SC-137	4	Screw, Gate Bracket Mount

*Not sold separately

**Recommend ordering as "Matched Parts"

CENTURY MODEL "MSC" PROJECTOR



CENTURY MODEL "MSC" PROJECTOR

FILM TRAP ASSEMBLY (A1-E-10)

ITEM	PART NO.	QTY	DESCRIPTION
1	A1-E-10	1	Film Trap Assembly
	A1-E-12	1	Assembly, Lateral Guide Roller
2	A1-E-13	2	Spring Retaining Block and Pin Assembly
3	CM-685	1	Cam, Spring Shoe Tension
4	GU-16	2	Guide, Film Trap
5	KN-70	1	Knob, Spring Shoe Tension
6	PE-518-E4	1	Plate, Aperture
7	PN-519	1	Pin, Aperture Plate Stop
8	PN-824	1	Pin, Shoe Tension Stop
9	PT-33	2	Pivot, Lateral Guide Roller
10	RD-281	1	Rod, Spring Shoe Block
11	RD-282	1	Rod, Eccentric Cam
12	RI-296	3	Ring, Rod Retaining
13	SC-134	2	Screw, Pivot Retaining
14	SC-1094	1	Screw, Tension Knob
15	SC-674	8	Screw, Spring Fastening
16	SC-579	1	Screw, Eccentric Cam
17	SC-1800	1	Screw, Film, Trap, Thumb
18	SC-128	4	Screw, Film Guide
19	SG-1484	2	Spring, Aperture Plate
20	SG-1802	1	Spring, Eccentric Cam
21	SH-1811	2	Shoe, Film Trap Spring
22	SC-2431	1	Screw, Spring Shoe Tension
23	TP-171	1	Trap, Film
24	WA-245	2	Washer, Spring Shoe

LATERAL GUIDE ROLLER ASSEMBLY (A1-E-12)

ITEM	PART NO.	QTY	DESCRIPTION
25	A1-E-12	1	Lateral Guide Roller Assembly
26	RO-283	1	Roller, Inner, Lateral Guide
27	RO-284	1	Roller, Outer, Lateral Guide
28	SG-124	1	Spring, Lateral Guide
29	RI-572	1	Ring, Retaining Lateral Guide

CENTURY MODEL "MSC" PROJECTOR

FILM TRAP SUPPORT HEAT SHIELD AND GIB ASSEMBLY (A1-E-70)

ITEM	PART NO.	QTY	DESCRIPTION
30	A1-E-70	1	Film Trap Support Heat Shield and Gib Assembly
31	GI-255	1	Gib, Trap Support
32	SC-1842	4	Screw, Heat Shield
33	SD-1808	1	Shield, Heat Shield, Zicar
34	SD-1804	1	Support, Film Trap
35	SA-1942	4	Spacer, Heat Shield
36	SC-2047	3	Screw, Film Support, Gib
37	WA-88	3	Washer, Film Support, Gib
			ASSOCIATED PARTS
38	SC-137	3	Screw, Trap Support Mount

UPPER PAD ROLLER ARM ASSEMBLY (C1-C-10)

ITEM	PART NO.	QTY	DESCRIPTION
39	C1-C-10	1	Upper Pad Roller Arm Assembly
	C1-C-13	1	Assembly, Pad Roller, Upper
40	C1-C-21	1	Pad Roller Shaft and Knob Assembly
41	R3-400	1	Roller, Pad
42	AR-1	1	Arm, Pad Roller, Upper
43	BL-18	2	Ball, Pad Roller
44	NU-8	1	Nut, Pad Roller
45	SC-87	1	Screw, Adj., Pad Roller
46	SC-88	1	Screw, Pad Roller
47	SG-21	2	Spring, Pad Roller

UPPER PAD ROLLER ARM STUD KNOB AND BUSHING ASSEMBLY (C1-C-13)

ITEM	PART NO.	QTY	DESCRIPTION
48	C1-C-13	1	Upper Pad Roller Arm Stud Knob and Bushing Assembly
49	* C1-C-11		Upper Pad Roller Arm Stud and Knob Assembly
50	* BU-27		Bushing, Pad Roller Stud Arm
51	* PN-25		Pin

CENTURY MODEL "MSC" PROJECTOR

LOWER PAD ROLLER ARM ASSEMBLY (C1-C-40)

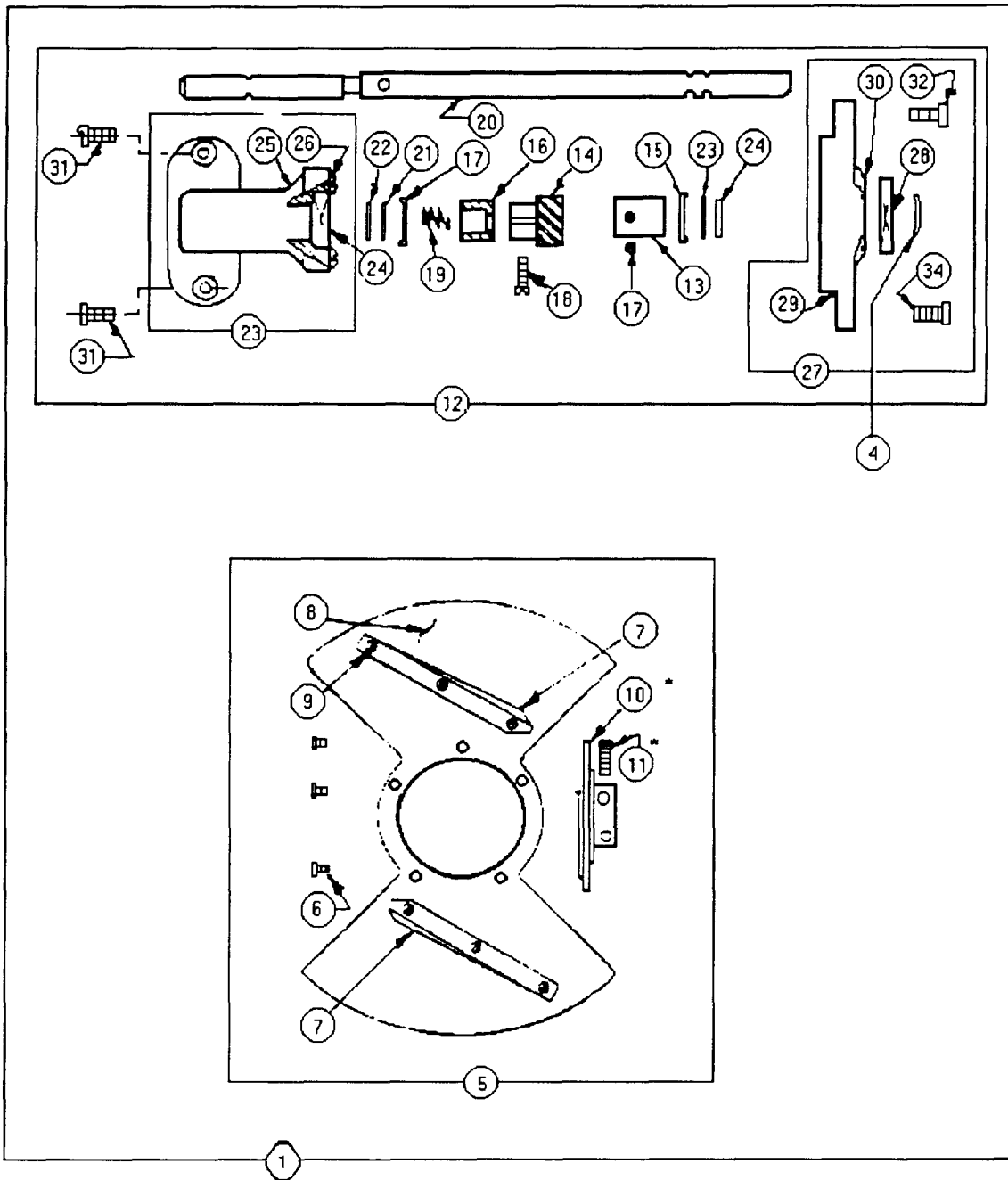
ITEM	PART NO.	QTY	DESCRIPTION
52	C1-C-40	1	Lower Pad Roller Arm Assembly
53	C1-C-21	1	Pad Roller Shaft and Knob Assembly
	C1-C-41	1	Assembly, Pad Roller, Lower
54	AR-21	1	Arm, Pad Roller, Lower
55	BL-18	2	Ball, Pad Roller
56	NU-8	1	Nut, Lock, Pad Roller
57	R3-400	1	Roller, Pad
58	SC-87	1	Screw, Adj., Pad Roller
59	SC-88	1	Screw, Pad Roller, Lower
60	SG-21	1	Spring, Pad Roller

LOWER PAD ROLLER, ARM STUD KNOB AND BUSHING ASSEMBLY (C1-C-41)

ITEM	PART NO.	QTY	DESCRIPTION
61	C1-C-41	1	Lower Pad Roller, Arm Stud Knob and Bushing Assembly
62	* C1-C-42	1	Lower Pad Roller, Arm, Stud, and Knob Assembly
63	* BU-27	1	Bushing, Arm, Pad Roller, Stud
64	* PN-25	1	Pin, Pad Roller Stud

*Not sold separately

CENTURY MODEL "MSC" PROJECTOR



CENTURY MODEL "MSC" PROJECTOR

SINGLE SHUTTER SHAFT BRACKET AND BLADE ASSEMBLY (H4-D-40X)

ITEM	PART NO.	QTY	DESCRIPTION
1	H4-D-40X	1	Complete 100° Shutter and Shaft Assembly
	C1-D-50S	1	Assembly, 100° Large Diameter Shutter Blade
	H1-D-44	1	Assembly, Shutter Shaft
4	SG-16	2	Spring, Shutter Hub Spacing

ASSEMBLY, 100° LARGE DIAMETER SHUTTER BLADE (C1-D-50S)

ITEM	PART NO.	QTY	DESCRIPTION
5	C1-D-50S	1	Assembly, 100° Large Diameter Shutter Blade
6	SC-128	5	Screw, Shutter and Hub
7	BD-26	2	Blade, Shutter Fan
8	BD-1454	1	Blade, Shutter, Standard Indoor, 100°
9	RV-0647	6	Rivet, Fan Blade
10	* HB-44	1	Hub, Shutter
11	* SC-915	2	Screw, Shutter Hub Clamp

SINGLE SHUTTER SHAFT AND BRACKET ASSEMBLY (H1-D-44X)

ITEM	PART NO.	QTY	DESCRIPTION
12	H1-D-44X	1	Single Shutter Shaft and Bracket Assembly
	C2-D-42	1	Assembly, Front Shutter Bracket
	C1-D-45	1	Assembly, Rear Shutter Bracket
13	CL-128	1	Collar, Thrust, Shutter Shaft
14	GR-7	1	Gear, Steel, Shutter Shaft
15	RT-61	2	Retainer, Shutter Shaft
16	RT-62	1	Retainer, Shutter Shaft, Steel
17	SC-23	1	Screw, Shutter Shaft Collar
18	SC-668	1	Screw, Shutter Shaft
19	SG-2494	1	Spring, Shutter Shaft
20	* ST-1397-X	1	Shaft, Shutter
21	WA-130	2	Washer, Shutter Shaft, Neoprene
22	WA-131	2	Washer, Shutter Shaft, Steel

ASSEMBLY, FRONT SHUTTER BRACKET (C2-D-42)

ITEM	PART NO.	QTY	DESCRIPTION
23	C2-D-42	1	Assembly, Front Shutter Bracket
24	BG-9	1	Bearing, Shutter Shaft
25	BR-186	1	Bracket, Shutter Shaft, Front
26	SC-70	3	Screw, Shutter Shaft, Front

CENTURY MODEL "MSC" PROJECTOR

ASSEMBLY, REAR SHUTTER BRACKET (C1-D-45)

ITEM	PART NO.	QTY	DESCRIPTION
27	C1-D-45	1	Assembly, Rear Shutter Bracket
28	BG-9	1	Bearing, Shutter Shaft
29	BR-14	1	Bracket, Shutter Shaft, Rear
30	SC-70	4	Screw, Ball Bearing
			ASSOCIATED PARTS
31	SC-137	2	Screw, Shutter Bracket Mounting
32	SC-1116	4	Screw, Shutter Bracket Mounting

*Not sold separately

CENTURY MODEL "MSC" PROJECTOR

SHUTTER GUARD ASSEMBLY (H1-D-46)

ITEM	PART NO.	QTY	DESCRIPTION
1	H1-D-46	1	Shutter Guard Assembly
	H1-D-43	1	Assembly, Fixed Shutter Guard
2	** GD-185	1	Guard, Shutter, Removable
3	HD-76	1	Hood, Light
4	SC-1265	3	Screw, Light Hood Fastening
5	SC-679	2	Screw, Removable Shutter Guard
6	SC-78	2	Screw, Removable Shutter Guard

FIXED SHUTTER GUARD ASSEMBLY (H1-D-43)

ITEM	PART NO.	QTY	DESCRIPTION
7	H1-D-43	1	Fixed Shutter Guard Assembly
8	** GD-202	1	Guard, Shutter, Fixed
9	GL-18	1	Glass, Spot Sight
10	HO-5	1	Holder, Spot Sight Glass
11	PN-647	1	Pin, Spot Sight Spring
12	PN-280	1	Pin, Spot Sight Setting
13	SC-92	1	Screw, Spot Sight Glass
14	SG-44	1	Spring, Spot Sight Glass
			ASSOCIATED PARTS
15	SC-1109	2	Screw, Fixed Shutter Guard Mounting

LIGHT SHIELD ASSEMBLY (A1-D-70)

ITEM	PART NO.	QTY	DESCRIPTION
16	A1-D-70	1	Light Shield Assembly
17	SC-51	2	Screw, Light Shield Mounting
18	SD-1799	1	Shield, Light
			INDIVIDUAL PARTS
19	A1-D-80	1	Dowser and Guide Assembly
20	SD-1130	1	Shield, Heat, Aluminum
21	SC-76	2	Screw, Heat Shield Mounting

**Recommend ordering as "Matched Parts"

CENTURY MODEL "MSC" PROJECTOR

PILOT LIGHT ASSEMBLY (C5-A-50)

ITEM	PART NO.	QTY	DESCRIPTION
1	C5-A-50	1	Pilot Light Assembly
	C3-A-53	1	Assembly, Pilot Light Shield
	C3-A-54	1	Assembly, Pilot Light Socket
2	LP-122	1	Light, Bulb

PILOT LIGHT SHIELD ASSEMBLY (C3-A-53)

ITEM	PART NO.	QTY	DESCRIPTION
3	C3-A-53	1	Pilot Light Shield Assembly
4	SD-1997	1	Shield, Pilot Light Cover
5	SD-2477	1	Shield, Pilot Light Glass

PILOT LIGHT SOCKET AND WIRE ASSEMBLY (C5-A-54)

ITEM	PART NO.	QTY	DESCRIPTION
6	C5-A-54	1	Pilot Light Socket and Wire Assembly
	C3-A-55	1	Assembly, Pilot Light Socket
7	WI-356	1	Cord, Pilot Light
8	CP-890	1	Clamp, Pilot Light
9	SW-64	1	Switch, Pilot Light
10	TU-3	1	Tube, Pilot Light
11	TU-193	1	Tube, Pilot Light
12	WI-227	2	Wire, Pilot Light
13	NU-6	4	Nut, Pilot Light
14	CP-883	4	Clamp, Pilot Light
15	SC-82	1	Screw

PILOT LIGHT SOCKET ASSEMBLY (C3-A-55)

ITEM	PART NO.	QTY	DESCRIPTION
16	*C3-A-55	1	Pilot Light Socket Assembly
17	SC-172	1	Screw, Pilot Light

CENTURY MODEL "MSC" PROJECTOR

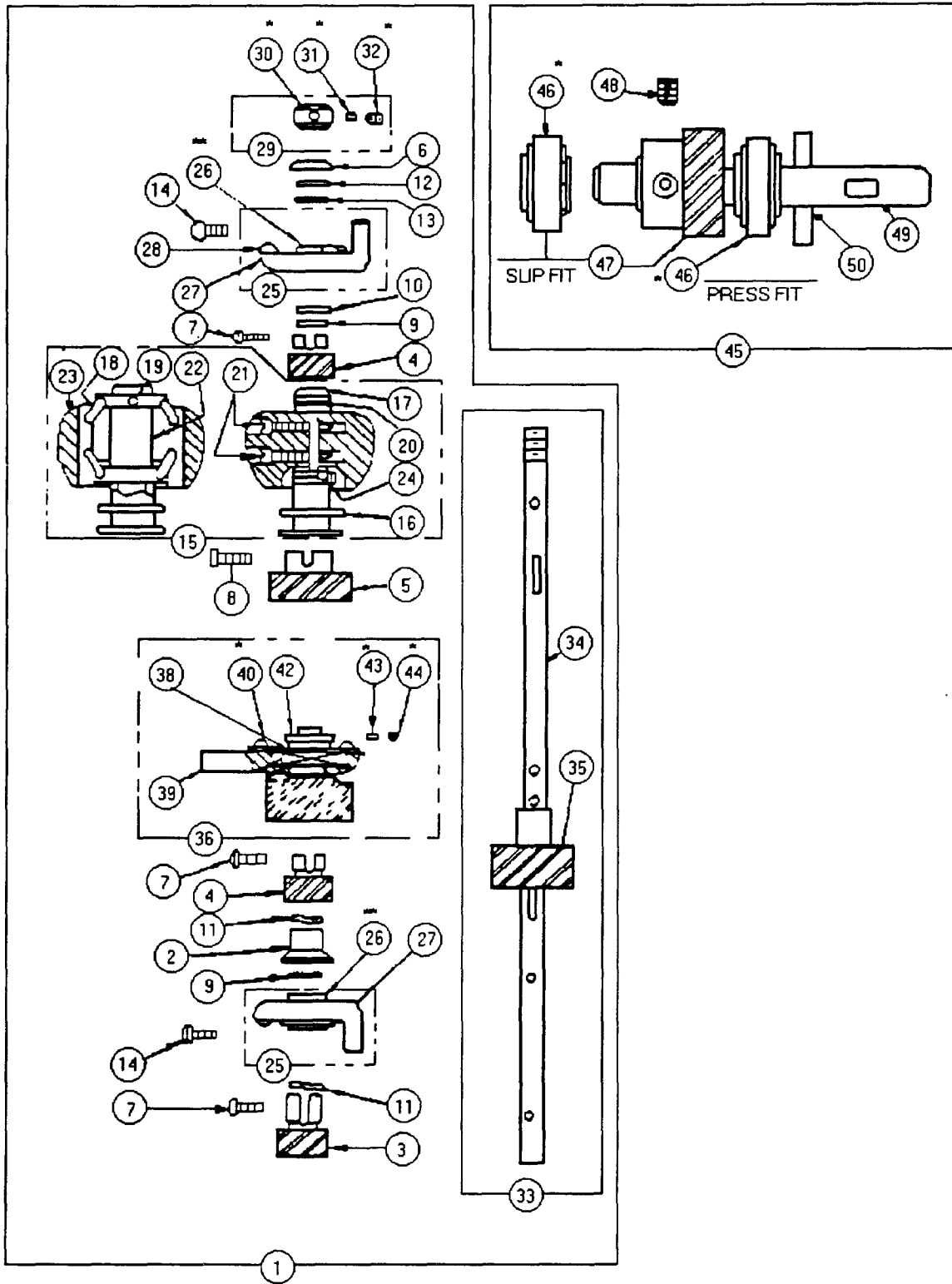
AUTOMATIC FIRE SHUTTER ASSEMBLY (C1-D-60)

ITEM	PART NO.	QTY	DESCRIPTION
18	C1-D-60	1	Automatic Fire Shutter Assembly
19	C1-D-64	1	Fire Shutter Arm and Shaft Assembly
20	BG-17	1	Bearing, Fire Shutter
21	CK-11	1	Crank, Fire Shutter
22	SC-72	1	Screw, Fire Shutter
23	SC-2468	2	Screw, Fire Shutter
24	SC-97	1	Screw, Fire Shutter
25	SU-26	1	Stud, Fire Shutter
26	WT-8	1	Weight, Fire Shutter
27	WA-241	1	Washer, Fire Shutter
			ASSOCIATED PARTS
28	SC-137	2	Screw, Fire Shutter Mounting

UPPER AND LOWER SPROCKET SHAFT ASSEMBLY (C2-D-10)

ITEM	PART NO.	QTY	DESCRIPTION
29	C2-D-10	1	Upper Sprocket Shaft Assembly
30	GR-10	1	Gear, Sprocket, Formica
31	SC-1190	1	Screw, Gear
32	SK-2204	1	Sprocket, Upper Feed
33	ST-2	1	Shaft, Feed Sprockets
34	SC-89	1	Screw, Sprocket

CENTURY MODEL "MSC" PROJECTOR



CENTURY MODEL "MSC" PROJECTOR

VERTICAL SHAFT AND GOVERNOR ASSEMBLY (M3-G-100B) (Shown with Optional Governor)***

ITEM	PART NO.	QTY	DESCRIPTION
1	M3-G-100B	1	Vertical Shaft and Governor Assembly
	C1-G-22	1	Governor Weight Assembly, Single Shutter
	C1-G-31	1	Assembly, Vertical Shaft, Ball Bearing Bracket
	C1-G-44	1	Assembly, Vertical Shaft Upper Collar
	C3-G-93	1	Assembly, Vertical Shaft, Key and Gear Assembly
	C2-G-95	1	Assembly, Vertical Shaft Bearing Bracket
2	CL-28	1	Collar, Vertical Shaft, Lower
*3	GR-182	1	Gear, Vertical Shaft, Drive Steel
*4	GR-5	2	Gear, Vertical Shaft, Sprocket Steel
*5	GR-207R	1	Gear, Vertical Shaft, Shutter, Formica
6	RT-61	1	Retainer, Vertical Shaft, Cup, Washer
7	SC-668	3	Screw, Vertical Shaft, Gear (Drive)
8	SC-915	1	Screw, Vertical Shaft Gear (Shutter)
9	WA-3	2	Washer, Vertical Shaft Thrust, Fiber
10	WA-10	1	Washer, Vertical Shaft Thrust, Steel
11	WA-14	2	Washer, Vertical Shaft Thrust, Spring
12	WA-130	1	Washer, Vertical Shaft Thrust, Neoprene
13	WA-131	1	Washer, Vertical Shaft Thrust
14	SC-1445	4	Screw, Vertical Shaft Mounting

GOVERNOR WEIGHT ASSEMBLY, SINGLE SHUTTER (C1-G-22)***

ITEM	PART NO.	QTY	DESCRIPTION
15	C1-G-22	1	Governor Weight Assembly, Single Shutter
16	HO-3	1	Holder, Governor Link
17	HO-4	1	Holder, Governor Link
18	LI-3	4	Link, Governor
19	SC-2468	1	Screw, Governor
20	SC-135	4	Screw, Governor
21	SC-136	4	Screw, Governor
22	SV-42	1	Sleeve, Governor
23	WT-6	2	Weight, Governor
24	WA-296	2	Washer, Governor

CENTURY MODEL "MSC" PROJECTOR

VERTICAL SHAFT, BALL BEARING AND BRACKET ASSEMBLY (C1-G-31)

ITEM	PART NO.	QTY	DESCRIPTION
25	C1-G-31	2	Vertical Shaft, Ball Bearing and Bracket Assembly
26	** BG-9	1	Bearing, Vertical Shaft, Ball
27	BR-20	1	Bracket, Vertical Shaft Ball Bearing
28	SC-70	3	Screw, Vertical Shaft Ball Bearing

VERTICAL SHAFT UPPER THRUST COLLAR ASSEMBLY (C1-G-44)

ITEM	PART NO.	QTY	DESCRIPTION
29	C1-G-44	1	Vertical Shaft Upper Thrust Collar Assembly
30	CL-101	1	Collar, Vertical Shaft Upper
31	PG-13	2	Plug, Vertical Shaft Collar
32	SC-63	2	Screw, Vertical Shaft Collar

VERTICAL SHAFT, KEY AND GEAR ASSEMBLY (C3-G-93)

ITEM	PART NO.	QTY	DESCRIPTION
33	C3-G-93	1	Vertical Shaft, Key and Gear Assembly
34	* C3-G-91	1	Vertical Shaft and Key Assembly
35	GR-366R	1	Gear, Intermittent Drive, Vertical Shaft, Formica

VERTICAL SHAFT BEARING AND BRACKET ASSEMBLY FOR INTERMITTENT DRIVE GEAR (C1-G-95)

ITEM	PART NO.	QTY	DESCRIPTION
36	C1-G-95	1	Vertical Shaft Bearing and Bracket Assembly for Intermittent Drive Gear
	C1-G-23	1	Assembly, Intermittent Drive Gear Bracket
	C1-G-24	1	Assembly, Intermittent Drive Gear

VERTICAL SHAFT INTERMITTENT DRIVE AND BRACKET ASSEMBLY (C1-G-23)

ITEM	PART NO.	QTY	DESCRIPTION
37	C1-G-23	1	Vertical Shaft Intermittent Drive and Bracket Assembly (Rubber Mounted Ball Bearing)
38	BG-6A	1	Bearing, Intermittent Drive Gear Bracket
39	* BR-3	1	Bracket, Intermittent Drive Gear
40	SC-70	3	Screw, Intermittent Drive Gear Bracket

CENTURY MODEL "MSC" PROJECTOR

VERTICAL SHAFT INTERMITTENT DRIVE GEAR NUT ASSEMBLY (C1-G-24)

ITEM	PART NO.	QTY	DESCRIPTION
41	C1-G-24	1	Vertical Shaft Intermittent Drive Gear Nut Assembly
42	* NU-1	1	Nut, Intermittent Drive Gear
43	* PG-13	2	Plug, Intermittent Drive Gear
44	* SC-63	2	Screw, Intermittent Drive Gear

MAIN SHAFT DRIVE ASSEMBLY (M5-G-111T)

ITEM	PART NO.	QTY	DESCRIPTION
45	M5-G-111T	1	Main Shaft Drive Assembly
	C2-G-112	1	Assembly, Main Drive Shaft and Bearings
46	BG-6A	2	Bearing, Main Drive Shaft
47	GR-328	1	Gear, Main Standard Drive, Formica
48	SC-902	2	Screw, Main Drive Gear
49	* ST-2154	1	Shaft, Main Drive
50	RI-617	1	Ring, Oil Retaining
	C2-G-112	1	Assembly, Main Drive Shaft and Bearings
	ST-2154	1	Shaft, Main Drive
	BG-6-A	2	Bearing, Main Drive Shaft

*Not sold separately

***Note: With Governor Weight Assembly, order M3-G-100A

CENTURY MODEL "MSC" PROJECTOR

DOUBLE SHUTTER PROJECTOR

DOUBLE SHUTTER SHAFT, BRACKET, GEARS, AND BLADE ASSEMBLY (J4-D-50)

ITEM	PART NO.	QTY	DESCRIPTION
	J4-D-50	1	Double Shutter Shaft, Bracket, Gears, and Blade Assembly
	J8-D-51	1	Double Shutter Blade and Hub, Inner
	J8-D-52	1	Double Shutter Blade and Hub, Outer
	H1-D-54	1	Double Shutter Shaft Bracket and Ball Bearing
	SG-0016	1	Spring, Shutter
	SA-2044	1	Spacer, Shutter
	SC-1116	1	Screw, Socket Cap

DOUBLE SHUTTER BLADE AND HUB ASSEMBLY, INNER (J8-D-51)

ITEM	PART NO.	QTY	DESCRIPTION
	J8-D-51	1	Double Shutter Blade and Hub Assembly, Inner, Indoor
	C2-D-56	1	Double Shutter Hub and Clamp Screws, Inner
	J8-D-59	1	Double Shutter and Fan Blades, Inner
	SC-128	5	Screw, Shutter and Hub Fastening

REVERSE DOUBLE SHUTTER HUB ASSEMBLY, INNER (C2-D-56)

ITEM	PART NO.	QTY	DESCRIPTION
	C2-D-56	1	Reverse Double Shutter Hub Assembly
	HB-45	1	Hub, Reverse Shutter, Inner
	SC-915	2	Screw, Reverse Shutter Hub Clamp

DOUBLE SHUTTER AND FAN BLADES, INNER, DDS, INDOOR (J8-D-59)

ITEM	PART NO.	QTY	DESCRIPTION
	J8-D-59	1	Double Shutter and Fan Blades, Inner, DDS, Indoor
	BD-26	2	Blade, Shutter Fan
	BD-1083	1	Blade, Shutter, Inner, Odds
	SC-94	6	Screw, Shutter/Fan Blade Fastening

CENTURY MODEL "MSC" PROJECTOR

DOUBLE SHUTTER BLADE AND HUB ASSEMBLY, OUTER (J8-D-52)

ITEM	PART NO.	QTY	DESCRIPTION
	J8-D-52	1	Double Shutter Blade and Hub Assembly, Outer, Indoor
	C2-D-49	1	Double Shutter Hub and Clamp Screws
	SC-128	5	Screw, Shutter and Hub Fastening
	BD-1082	1	Blade, Shutter, Outer, DDS

SINGLE AND DOUBLE SHUTTER (OUTER) HUB ASSEMBLY (C2-D-49)

ITEM	PART NO.	QTY	DESCRIPTION
	C2-D-49	1	Single and Double Shutter (Outer) Hub Assembly
	HB-44	1	Hub, Shutter (C2-D-49)
	SC-915	2	Screw, Shutter Hub Clamp

ASSEMBLY, DOUBLE SHUTTER SHAFT BRACKET AND BALL BEARING (H1-D-54)

ITEM	PART NO.	QTY	DESCRIPTION
	H1-D-54	1	Assembly, Double Shutter Shaft Bracket and Ball Bearing
	C2-D-42	1	Shutter Shaft Bracket and Ball Bearing Assembly
	C2-D-55A	1	Assembly, Double Shutter Intermittent Bracket
	CL-0128	1	Collar, Shutter Shaft Thrust
	GR-0007	1	Gear, Intermittent and Shutter Drive
	RT-0061	2	Retainer, Thrust Washer
	RT-0062	1	Retainer, Shutter Shaft Spring
	SC-0023	1	Screw
	SC-0668	1	Screw
	ST-1397-X	1	Shaft, Shutter
	WA-0130	2	Washer, Ball Bearing, Steel
	WA-0131	2	Washer, Spring, Steel

CENTURY MODEL "MSC" PROJECTOR

DOUBLE SHUTTER INTERMEDIATE BRACKET, GEARS AND BALL BEARING ASSEMBLY (C2-D-55A)

ITEM	PART NO.	QTY	DESCRIPTION
	C2-D-55A	1	Double Shutter Intermediate Bracket, Gears and Ball Bearing Assembly
	C1-D-39	1	Intermediate Shutter Shaft and Bearing Assembly
	C2-D-53B	1	Direct Double Shutter Bracket Gear and Ball Bearing Assembly (Outer Rear)
	BG-9B	1	Bearing, Intermediate Shutter Shaft
	BR-16	1	Bracket, Intermediate Shutter Shaft, Inner
	CL-35	1	Collar, Intermediate Shutter Shaft and Ball Bearing Thrust
	GR-7	1	Gear, Intermediate Shutter Shaft, Steel
	GR-72	1	Gear, Double Shutter Reverse, Resilient
	SC-81	1	Screw, Intermediate Shutter Shaft
	SC-89	2	Screw, Intermediate Shutter Shaft Collar and Gear
	SC-112	2	Screw, Intermediate Shutter Shaft Ball Bearing Retaining
	SC-131	2	Screw, Reverse Gear Collar and Ball Bearing Retaining
	SG-86	1	Spring, Intermediate Shutter Shaft Ball Thrust
	WA-5	1	Washer, Intermediate Shutter Shaft Ball Thrust, Fiber
	WA-17	2	Washer, Intermediate Shutter Shaft Ball Thrust, Steel
	WA-254		Washer, Thrust
			ASSOCIATED PARTS
	SC-1116	4	Screw, Double Shutter Intermediate Bracket Mounting

DIRECT DOUBLE SHUTTER BRACKET AND BALL BEARING ASSEMBLY (C2-D-53B)

ITEM	PART NO.	QTY	DESCRIPTION
	C2-D-53B	1	Direct Double Shutter Bracket and Ball Bearing Assembly
	C2-D-53A	1	Bearing and Matched Gear Assembly
	BR-15	1	Bracket, Ball Bearing
	CL-747	1	Collar, Inner Spacing
	SA-2043	1	Spacer
	SC-0882	2	Screw, Collar Fastener
	WA-9	1	Washer

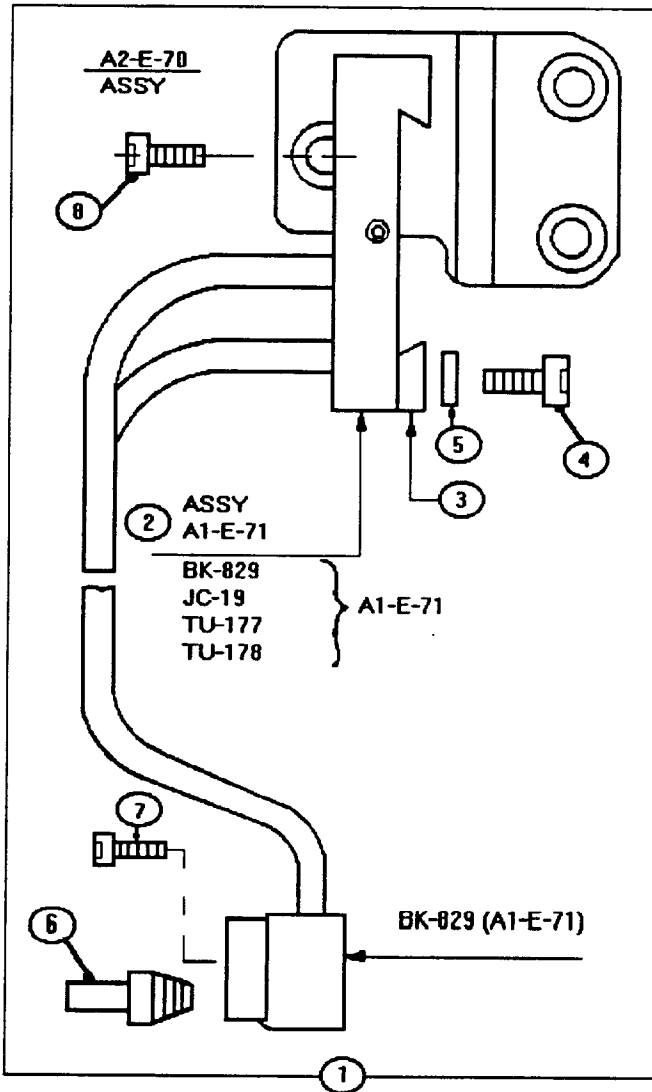
GEAR AND BALL BEARING ASSEMBLY (FOR DOUBLE SHUTTER) (C2-D-53A)

ITEM	PART NO.	QTY	DESCRIPTION
	C2-D-53A	1	Gear and Ball Bearing Assembly (for Double Shutter)
	BG-0006A	2	Ball Bearings
	BR-0015	1	Bracket, Reverse Double Shutter
	GR-0013	2	Gear, Double Shutter Intermediate

CENTURY MODEL "MSC" PROJECTOR

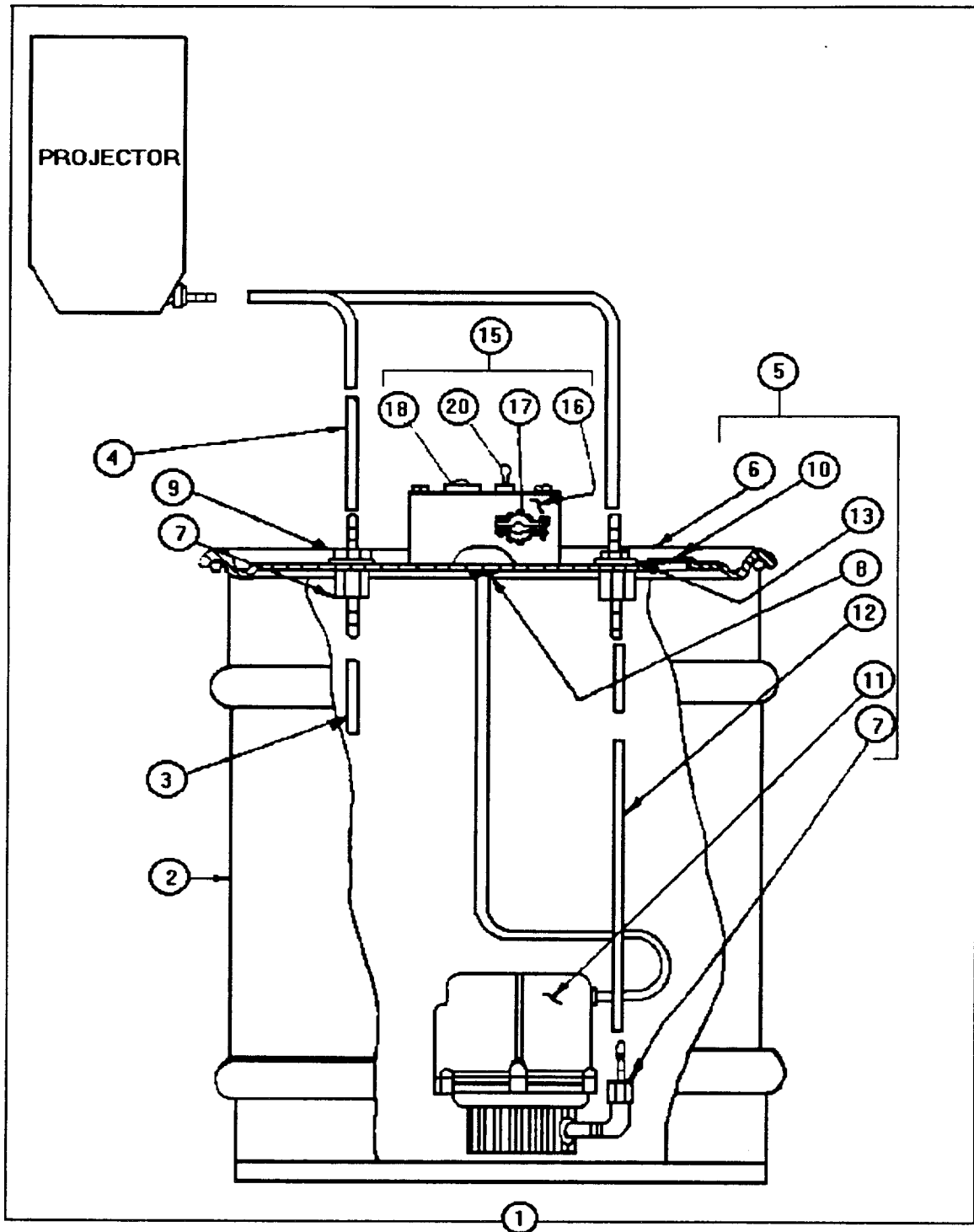
FILM TRAP SUPPORT WATER CELL ASSEMBLY (A2-E-70)

ITEM	PART NO.	QTY	DESCRIPTION
1	A2-E-70	1	Film Trap Support Water Cell Assembly
2	A1-E-71	1	Film Trap Support/Water Cell with Tubes and Connector Block
3	GI-255	1	Gib, Film Trap Support/Water Cell
4	SC-2047	3	Screw, Film Trap Support/Water Cell Gib Fastening
5	WA-88	3	Washer, Film Trap Support/Water Cell Gib Fastening Screw
6	CN-893	1	Hose, Connector, Male
7	SC-81	1	Screw, Water Cell Tube Connecting Block Fastening
8	SC-137	3	Screw, Film Trap Support/Water Cell Mounting



Note: Water Recirculator
shown on page 39

CENTURY MODEL "MSC" PROJECTOR



CENTURY MODEL "MSC" PROJECTOR

WATER RECIRCULATOR ASSEMBLY, 60 CYCLE (C8-T-360)

ITEM	PART NO.	QTY	DESCRIPTION
1	C8-T-360	1	Water Recirculator Assembly, 60 Cycle
	C1-T-165	1	Assembly, Water Hose Kit (Mail Order Only)
	C8-T-364	1	Assembly, Water Drum Cover and Pump
2	DR-107	1	Drum, Water
3	TU-370	1	Tube, Return
4	TU-0371	2	Tube, Water (2 ft. pieces)

WATER DRUM, COVER AND PUMP ASSEMBLY, 60 CYCLE (C8-T-364)

ITEM	PART NO.	QTY	DESCRIPTION
5	C8-T-364	1	Water Drum, Cover and Pump Assembly, 60 Cycle
	C8-T-365	1	Assembly, Box, Switch, Lamp, and Squeeze Connector
6	CR-779	1	Cover, Water
7	CN-0894	1	Connector, Female
8	GM-79	1	Grommet, Wire Pump Cover
9	CN-893	2	Connector, Male
10	PG-206	1	Plug, Button
11	PM-1053	1	Pump, Water
12	TU-372	1	Tube, Water Pump
13	WA-139	2	Washer, Gland Nut
14	WI-273	2	Wire, Lamp and Switch Connecting

BOX, SWITCH AND SQUEEZE CONNECTOR ASSEMBLY, 60 CYCLE (C8-T-365)

ITEM	PART NO.	QTY	DESCRIPTION
15	C8-T-365	1	Box, Switch and Squeeze Connector Assembly, 60 Cycle
16	BX-1129	1	Box, for Switch, Pilot Light and Wiring
17	CN-708	1	Connector, Squeeze
18	LT-120	1	Light, Pilot, 120VAC, Neon Red
19	PE-1043	1	Plate, Name
20	SW-64	1	Switch, On/Off