

DMC

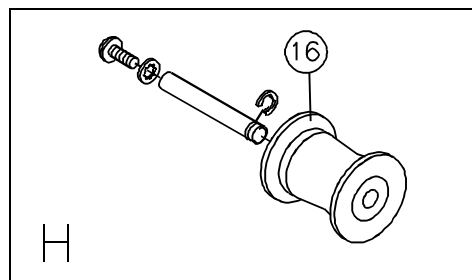
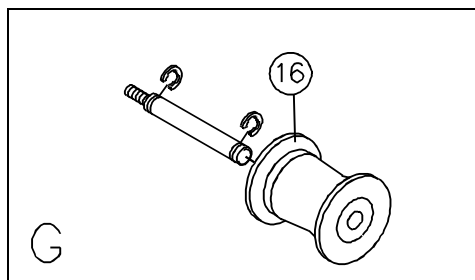
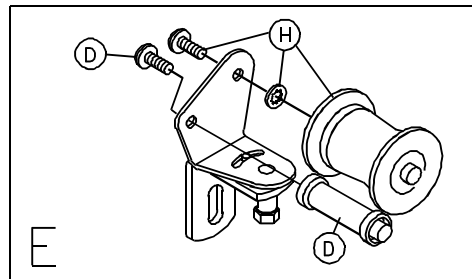
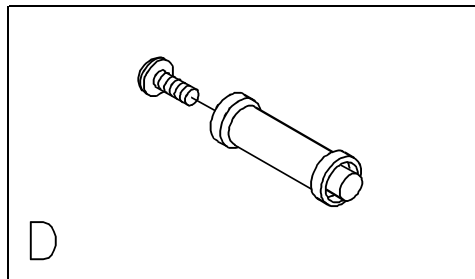
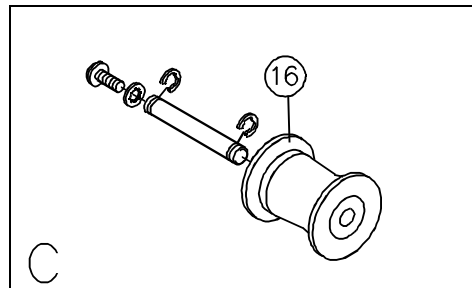
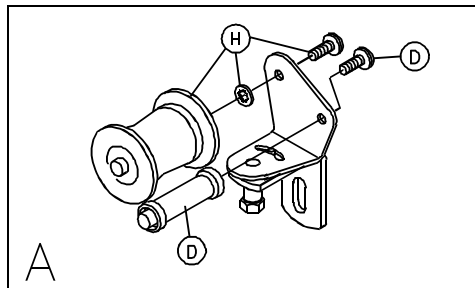
Parts Manual

PRODUCT FORMATION BULLETIN # 3366

For Serial Number 11521095 and After

Record Platter System Identification Numbers Here:

Model # _____ Serial # _____



COMMON PULLEY ASSEMBLIES

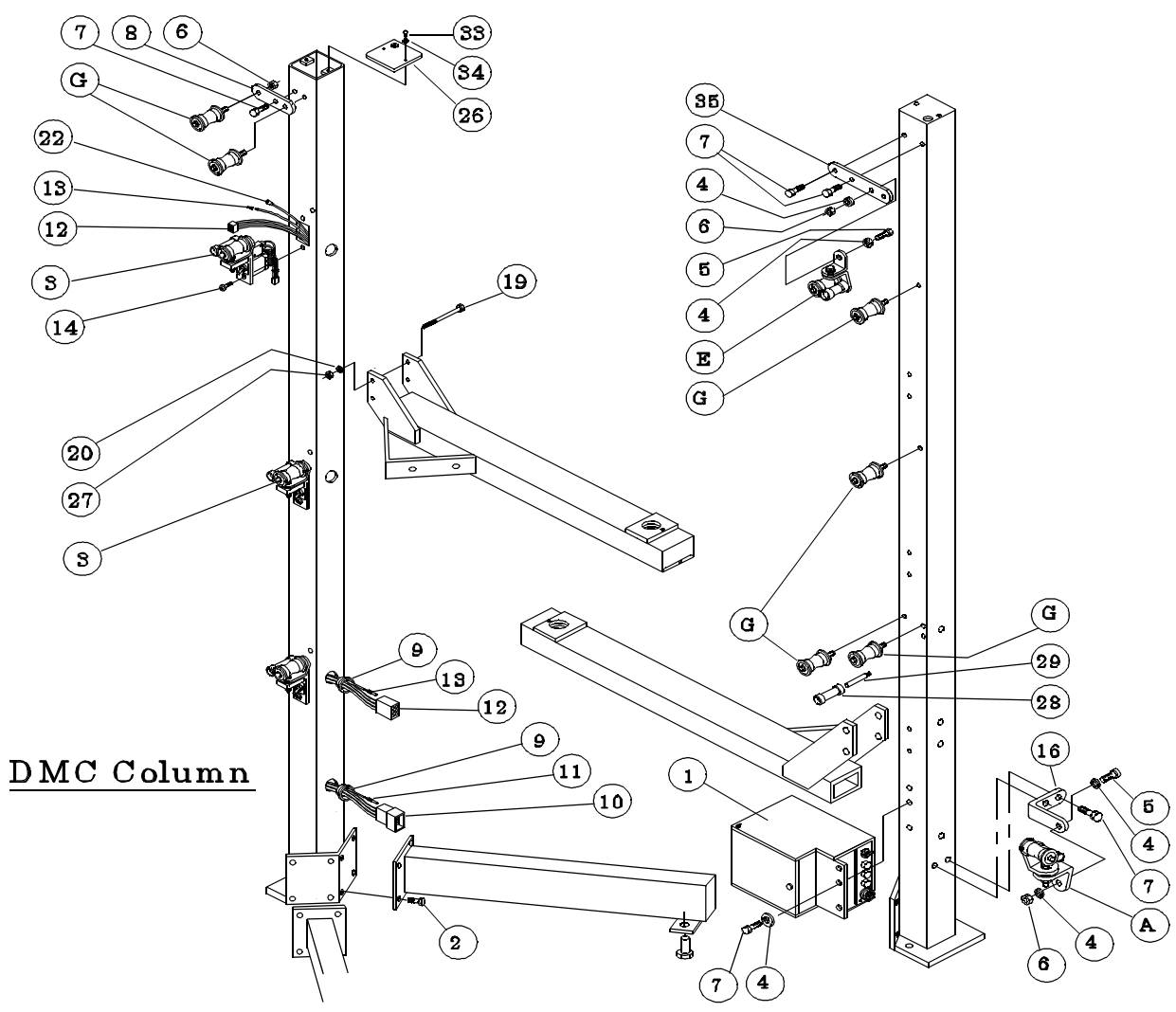
- A) 2604 Castor Swivel Assy, Left 35mm
- C) 1447 Pulley Shaft #6 & Pulley Assy 35mm
- D) 2602 Keeper Shaft & Spool Assy
- E) 1505 Castor Swivel Assy, Right 35mm
- G) 1504 Column Shaft & Pulley Assy 35mm
- H) 1774 Pulley Shaft #5 & Pulley Assy 35mm
- 16) 2881 Pulley 35mm 5/16" ID

DMC Column

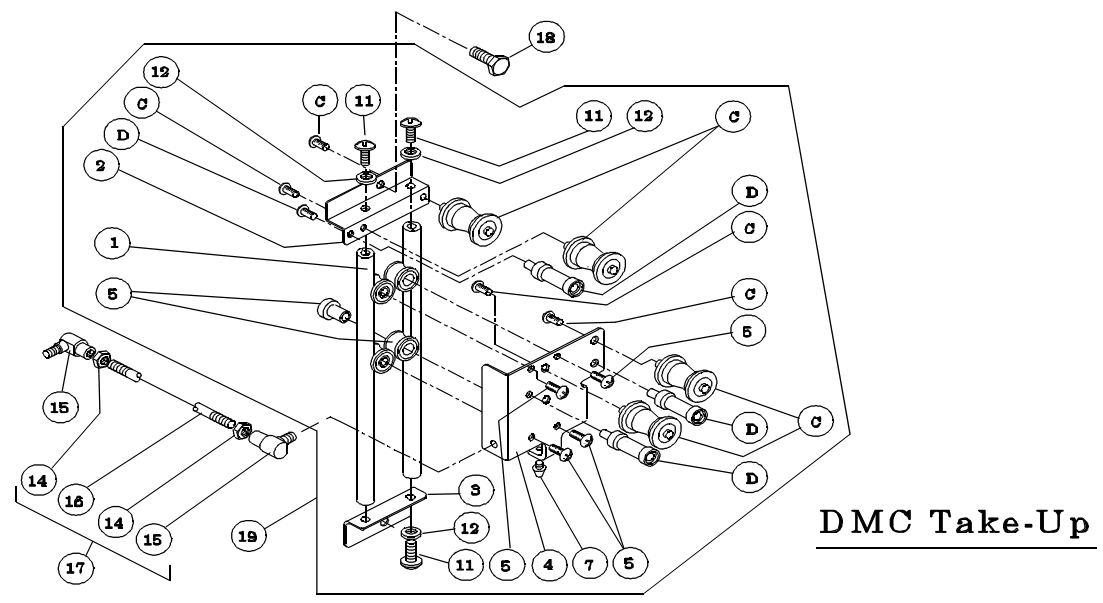
- | | |
|---|---|
| A) 2604 Castor Swivel Assy, Left 35mm | 11) 1708 Pin, CPS |
| E) 1505 Castor Swivel Assy, Right 35mm | 12) 1840 Receptacle, 6 Circuit CPS |
| G) 1504 Column Shaft & Pulley Assy 35mm | 13) 1709 Socket, CPS |
| 1) 3363 Power Supply Assy DMC | 14) 1071 Screw PTH 10-32 x 3/8" |
| 2) 1063 SHCS 3/8-16 x 5/8" | 16) 1170 Column Bottom Castor Bracket 35mm |
| 3) 3330 Feed Castor assy DMC | 19) 1062 HHCS 5/16-18 x 5" |
| 4) 1076 Flatwasher 1/4" | 20) 1080 Lockwasher 5/16", Split Ring |
| 5) 1056 HHCS 1/4-28 x 3/4" | 22) 1836 Receptacle, 1 Circuit CPS |
| 6) 1088 Locknut, Nylon Insert 1/4-28 | 26) 3331 Column End Cap DMC |
| 7) 1055 HHCS 1/4-28 x 1/2" | 27) 1090 Nut Hex 5/16-18 |
| 8) 1168 Column Feed Pulley Bracket 1L | 28) 1991 Spool 35mm |
| 9) 1179 Bushing, Open/Closed 7/8" | 29) 1173 Column Pulley Shaft |
| 10) 1839 Plug, 6 Circuit CPS | 33) 1072 Screw PTH 10-32 x 1/2" |
| | 34) 1075 Flatwasher #10 |
| | 35) 3402 Column Payout Swivel
Mount Bracket 1L |
-

DMC Take-up

- C) 1447 Pulley Shaft #6 & Pulley Assy 35mm
- D) 2602 Keeper Shaft & Spool Assy
 - 1) 1238 Take-up Rail
 - 2) 1236 Take-Up Upper Bracket
 - 3) 1237 Take-Up Lower Bracket
 - 4) 2253 Take-Up Slide Plate
 - 5) 2629 Take-Up Slide Shaft & Roller Assy
 - 7) 2067 Take-up Stop Bumper
- 11) 1071 Screw PTH 10-32 x 3/8"
- 12) 1078 Lockwasher #10, Internal Tooth
- 14) 1087 Nut Hex 1/4-28
- 15) 2660 Ball Swivel 1/4-28
- 16) 2247 Linkage Rod
- 17) 3356 Power Supply Linkage Rod Assy 12 1/2"
- 18) 1055 HHCS 1/4-28 x 1/2"
- 19) 3354 Take-Up Assy 35mm W/O Stop Pin



DMC Column



DMC Take-Up

DMC Feed Castor Assembly

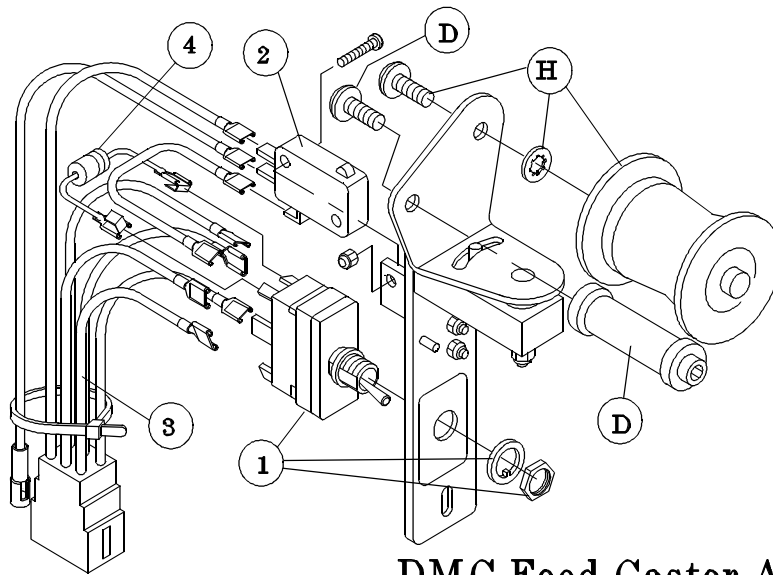
3330 Feed Castor Assy DMC

- D) 2602 Keeper Shaft & Spool Assy
 - H) 1774 Pulley Shaft #5 & Pulley Assy 35mm
 - 1) 1053 Toggle Switch DPDT On-None-On (spade)
 - 2) 1152 Feed Castor Switch
 - 3) 1359 Feed Castor Wire Harness A.P.
 - 4) 3359 Feed Castor Diode (with clips)
-

DMC Power Supply

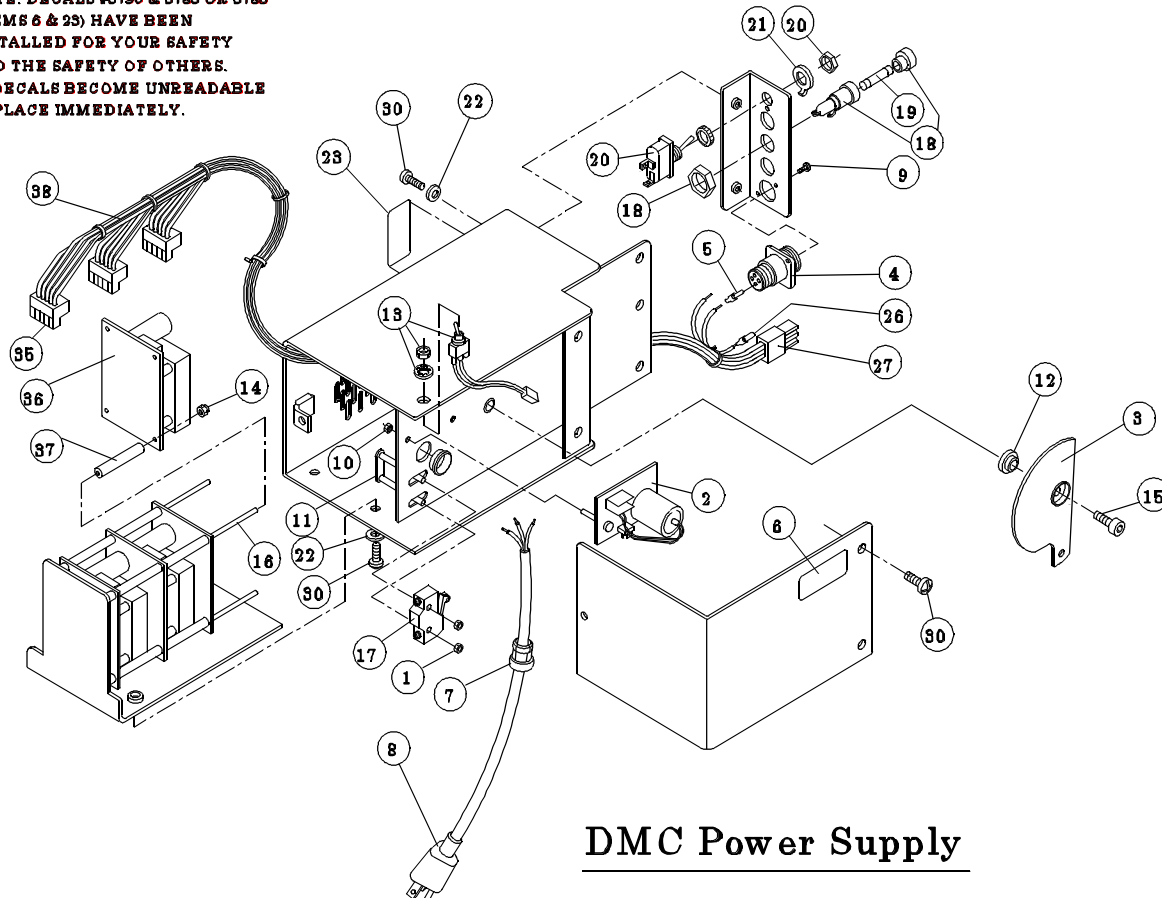
3363 Power Supply Assy DMC

- 1) 1083 Nut Hex 6-32
- 2) 2934 Digital Motor Control (take-up)
- 3) 3355 Power Supply Sensor Disk Assy
- 4) 2056 Receptacle 4 Pin (std sex)
- 5) 2064 Pin, CPC
- 6) 3790 Decal, Cord
- 7) 2391 Strain Relief 5/8 x .125 (.325/.36 dia)
- 8) 1029 Power Cord 3 Wire
- 9) 2521 Screw PPH #8 x 3/8" Type 25
- 10) 1032 Locknut, Nylon Insert 4-40
- 11) 1469 Switch Adjusting Plate Assy
- 12) 2380 Control Plate Sensor Arm Washer
- 13) 2945 DMC Reset Button Wire Harness (take-up)
- 14) 1807 Locknut, Nylon Insert 8-32
- 15) 1104 SHCS 1/4-20 x 1"
- 16) 3322 Power Supply Access Tray Rod
- 17) 2413 Micro Switch, Short Roller Arm, HD
- 18) 1009 Fuse Holder
- 19) 3308 Fuse 1 1/2 Amp 250v Slo-Blo (110v operation)
3407 Fuse 3/4 Amp 250v Slo-Blo (220v operation)
- 20) 1024 Toggle Switch SPST On-Off
- 21) 1081 Washer Switch Keyed
- 22) 1075 Flatwasher #10
- 23) 3785 Decal. 220 VAC
3786 Decal. 110 VAC
- 26) 1709 Socket, CPS
- 27) 1840 Receptacle, 6 Circuit CPS
- 30) 1071 Screw PTH 10-32 x 3/8"
- 35) 3313 Terminal Block, 5 Pole
- 36) 3283 Power Supply Board
- 37) 3321 Power Supply Access Tray Spacer
- 38) 3327 Power Supply Wire Harness DMC (includes items 4,5,26,27 & 35)



DMC Feed Castor Assembly

**NOTE: DECALS #3790 & 3785 OR 3786
(ITEMS 6 & 23) HAVE BEEN
INSTALLED FOR YOUR SAFETY
AND THE SAFETY OF OTHERS.
IF DECALS BECOME UNREADABLE
REPLACE IMMEDIATELY.**



DMC Power Supply

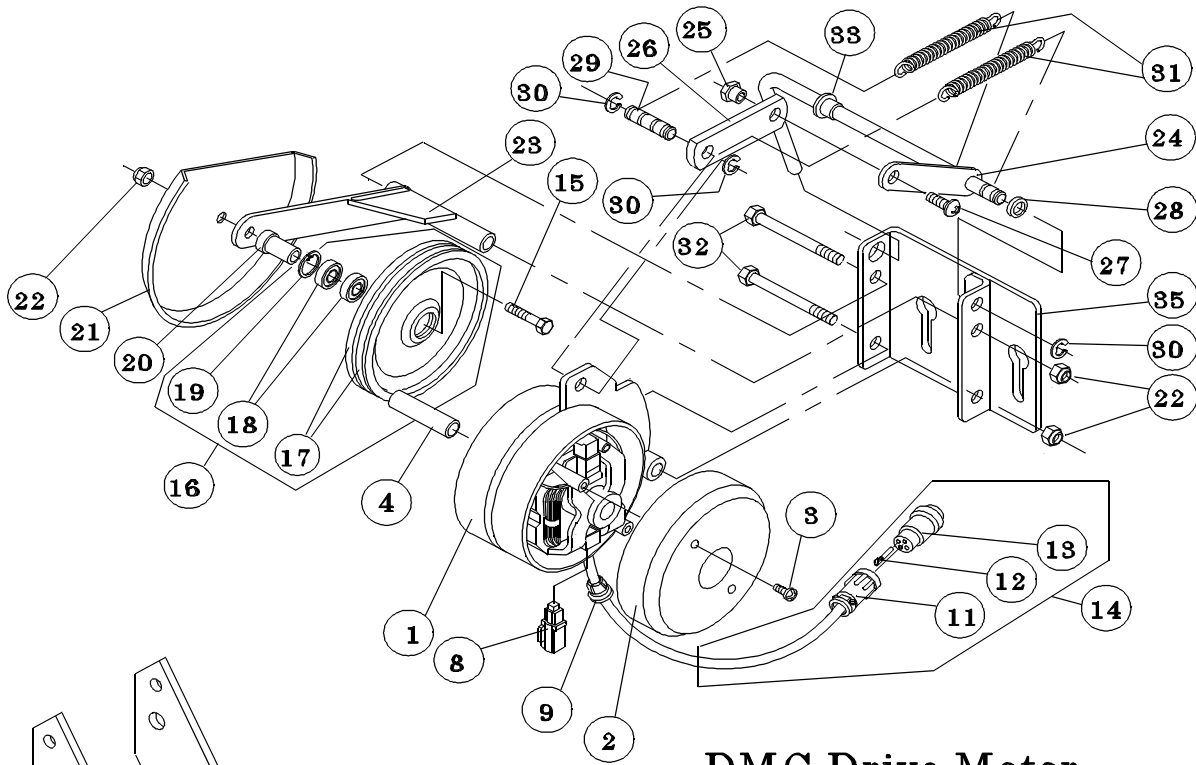
DMC Drive Motor

3360 Drive Motor Assy Type 4 DMC

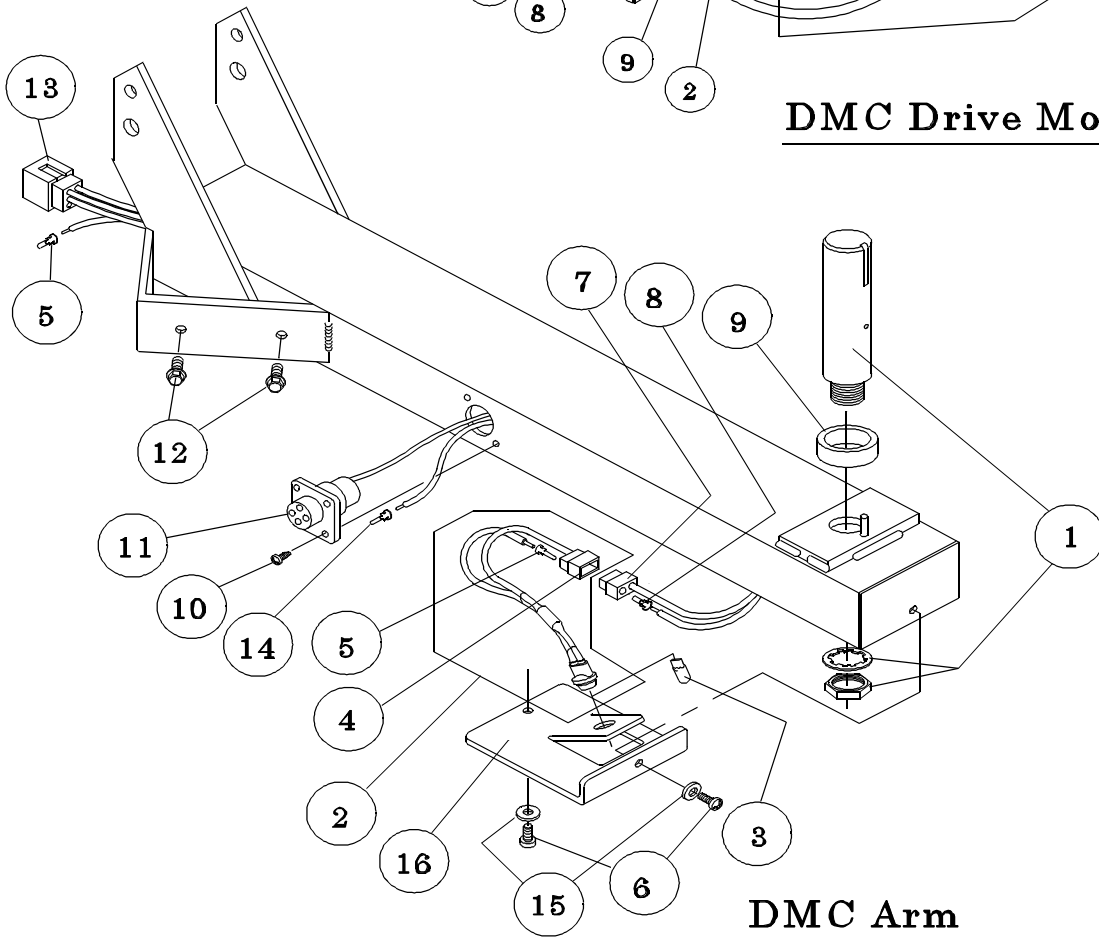
- | | |
|--|--|
| 2) 1192 Drv Mtr End Cover | 22) 1088 Locknut, Nylon Insert 1/4-28 |
| 3) 1091 Screw PPH 10-24 x 3/8" Type F | 23) 1620 Drive Motor Wheel Arm Weldment Type 3 |
| 4) 1630 Drv Mtr Hub Type 3, 3/8" dia | 24) 1618 Drive Motor Toggle Handle Weldment Type 3 |
| 8) 1004 Brush Motor 115 volt (1 pair) | 25) 1631 Drive Motor Linkage Connector Type 3 |
| 9) 2856 Strain Relief 5/8 x .062 | 26) 1634 Drive Motor Connector Link Type 3 |
| 11) 2070 Clamp Cable #11 | 27) 1071 Screw PTH 10-32 x 3/8" |
| 12) 3362 Pin, CPC, Gold | 28) 1546 Washer, Fiber 5/16" x 7/16" x .015" |
| 13) 2069 Plug 4 Pin | 29) 1402 Drive Motor Spring Pin |
| 14) 3344 Drive Motor Plug Wire Harness DMC | 30) 1050 E Ring 5/16" |
| 15) 2370 HHCS 1/4-28 x 1 1/4" | 31) 1818 Drive Motor Spring Type 3 |
| 16) 2140 Drive Motor Wheel Assy | 32) 3009 HHCS 1/4-28 x 3 3/4" |
| 17) 2362 Drive Motor Wheel Assy | 33) 1128 Bushing Plastic 1/2" |
| 18) 2066 Bearing Drive Wheel 7/8 OD x 3/8 ID | 35) 2796 Drive Motor Adjustment Plate Assy Type 4 |
| 19) 2224 Retaining Ring Internal 7/8" | |
| 20) 1633 Drive Motor Wheel Spacer Type 3 | |
| 21) 1632 Drive Motor Wheel Shield Type 3 | |
-

DMC Arm

- 1) 3367 Arm Spindle Assy. DMC
- 2) 3335 Arm Lamp Socket (with plug) type 3 (includes items 4 & 5)
- 3) 3305 Bulb 24v Push-In
- 4) 1837 Plug, 2 Circuit CPS
- 5) 1708 Pin, CPS
- 6) 1071 Screw PTH 10-32 x 3/8"
- 7) 1838 Receptacle, 2 Circuit CPS
- 8) 1709 Socket, CPS
- 9) 1183 Arm Bearing Spacer
- 10) 1065 Screw PTH 6-32 x 1/4"
- 11) 2068 Receptacle 4 Pin
- 12) 2367 HWHS 1/4-20 x 5/8"
- 13) 1839 Plug, 6 Circuit CPS
- 14) 2063 Socket, CPC
- 15) 1075 Flatwasher #10
- 16) 3297 Arm Light Cover type 3



DMC Drive Motor



DMC Arm

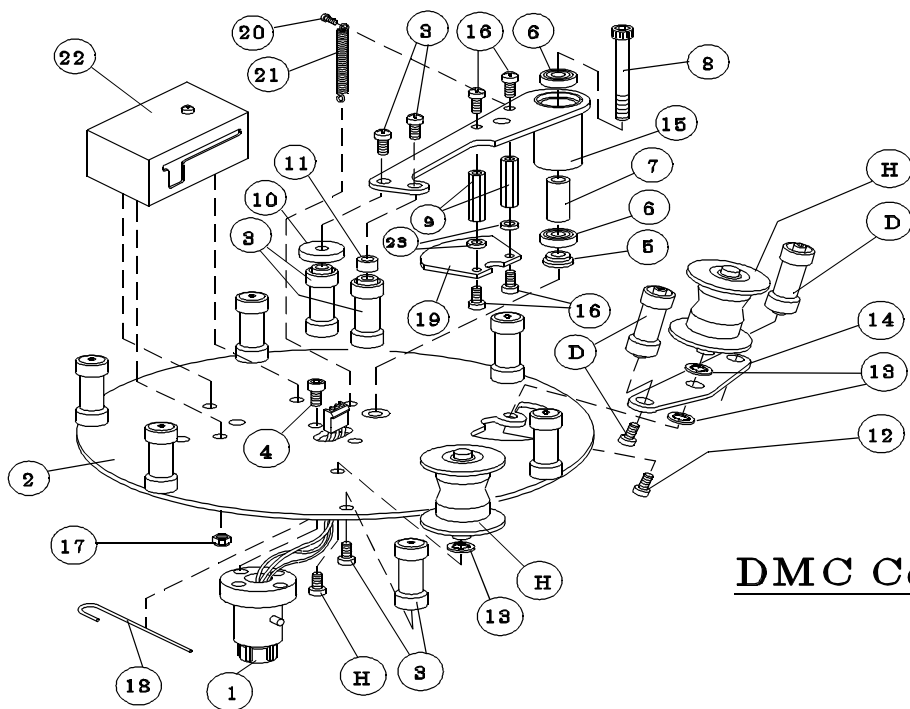
DMC Control Plate

3302 Control Plate Assembly, Plug-in DMC

- | | |
|---|--|
| D) 2602 Keeper Shaft & Spool Assy. | 10) 2006 Control Plate Arm Film
Spacer |
| H) 1774 Pulley Shaft #5 & Pulley
Assy. 35 mm | 11) 1153 Control Plate Arm Spool Spacer Float |
| 1) 3357 Control Plate Plug-In adaptor,
DMC (includes item 4) | 12) 1592 SHCS, 10-32 x 1/2" |
| 2) 1593 Control Plate & Nut Sub-
Assy, 35mm | 13) 1078 Lockwasher #10-Internal Tooth |
| 3) 1513 Control Plate Spool & Shaft
Assy. | 14) 1548 Control Plate Spool Keeper Bracket |
| 4) 1064 SHCS, 8-32 x 3/8" | 15) 3348 Control Plate Sensor Arm & Hub,
DMC |
| 5) 2380 Control Plate Sensor Arm
Washer | 16) 1069 Screw, PTH 8-32 x 3/8" |
| 6) 2407 Bearing, 5/8 OD x 1/4" ID | 17) 1032 Nylon Locknut, 4-40 |
| 7) 2379 Control Plate Sensor Arm
Spacer | 18) 2171 Phase Control Mask Spring |
| 8) 2408 SHCS, 1/4-28 x 2" | 19) 2906 Control Plate Sensor Mask, DMC |
| 9) 3422 Spacer, 1/4" hex brass, 8-32 x
1.072" | 20) 3353 SHCS, 2-56 x 1/4" |
| | 21) 3338 Control Plate Arm Return Spring,
DMC |
| | 22) 3358 Digital Motor Control (Control Plate) |

DMC Disk, Center Ring & Projector Arm

- | | |
|--|--|
| C) 1447 Pulley Shaft #6 & Pulley Assy
35mm | 8) 1257 Disk Lower Bearing Race Cup |
| D) 2602 Keeper Shaft & Spool Assy | 9) 1254 Disk Upper Bearing |
| 1) 1515 Projector Arm Assy 35mm | 10) 1255 Disk Upper Bearing Retaining
Ring |
| 2) 2225 Disk Suction Cup Assy | 11) 1471 Center Ring Assy (includes item
#17) |
| 3) 1084 Locknut, Nylon Insert 6-32 | 12) 1050 E Ring 5/16" |
| 4) 1865 One Disk Crated 52" or
1854 One Disk Crated 42" | 13) 1265 Shaft #9 |
| 5) 1183 Arm Bearing Spacer | 14) 1266 Center Ring Knob Spring |
| 6) 1258 Disk Lower Bearing Grease
Retainer | 15) 1264 Center Ring Knob |
| 7) 1256 Disk Lower Bearing | 16) 1070 Screw PFH 8-32 x 3/8" |
| | 17) 1827 Center Ring Knob Assy |



DMC Control Plate



DMC Disk, Center Ring & Projector Arm