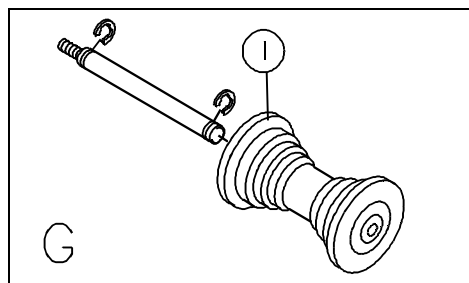
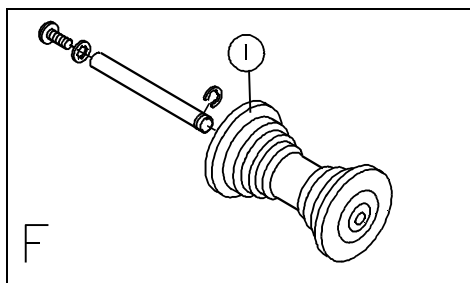
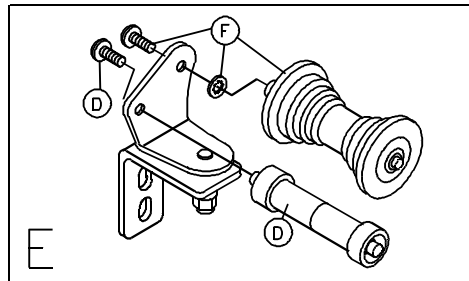
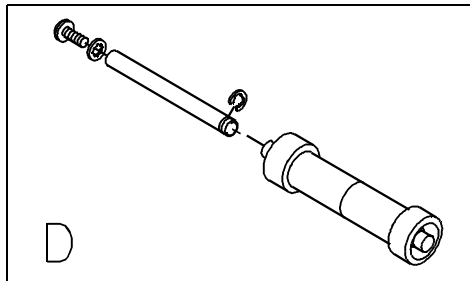
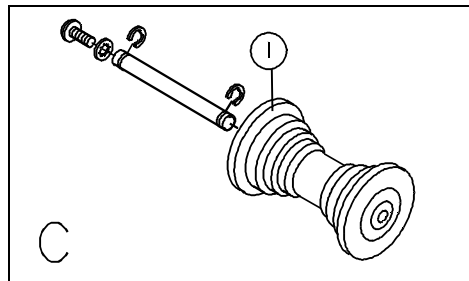
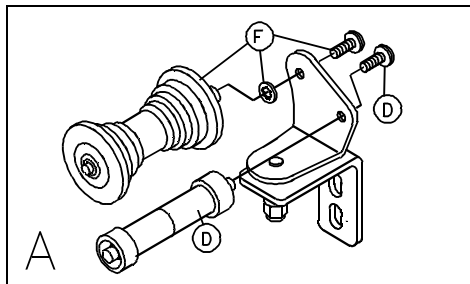


Hi-Speed Alpha 70mm Parts Manual

PRODUCT INFORMATION BULLETIN # 4297

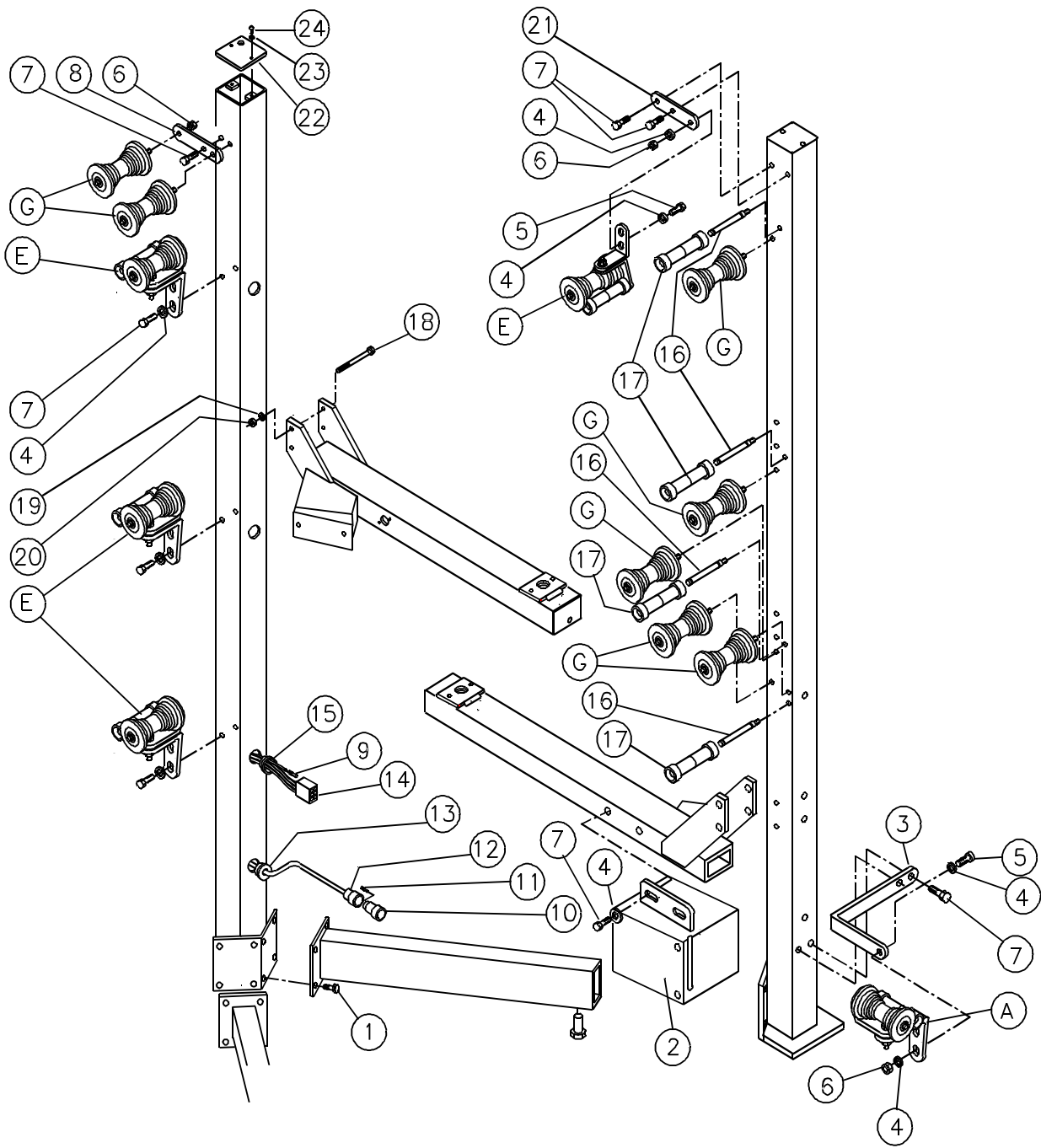
Record Platter System Identification Numbers Here:

Model # _____ Serial # _____



COMMON 70mm PULLEY ASSEMBLIES

- A) 2605 Castor Swivel Assy, Left 70mm
- C) 1556 Pulley Shaft-Castor & Pulley Assy 70mm
- D) 2876 Spool & Shaft Assy. 70mm
- E) 1554 Castor Swivel Assy, Right 70mm
- G) 1552 Column Shaft & Pulley Assy 70mm
- I) 1715 Pulley Assy. 5/16" ID, 70mm

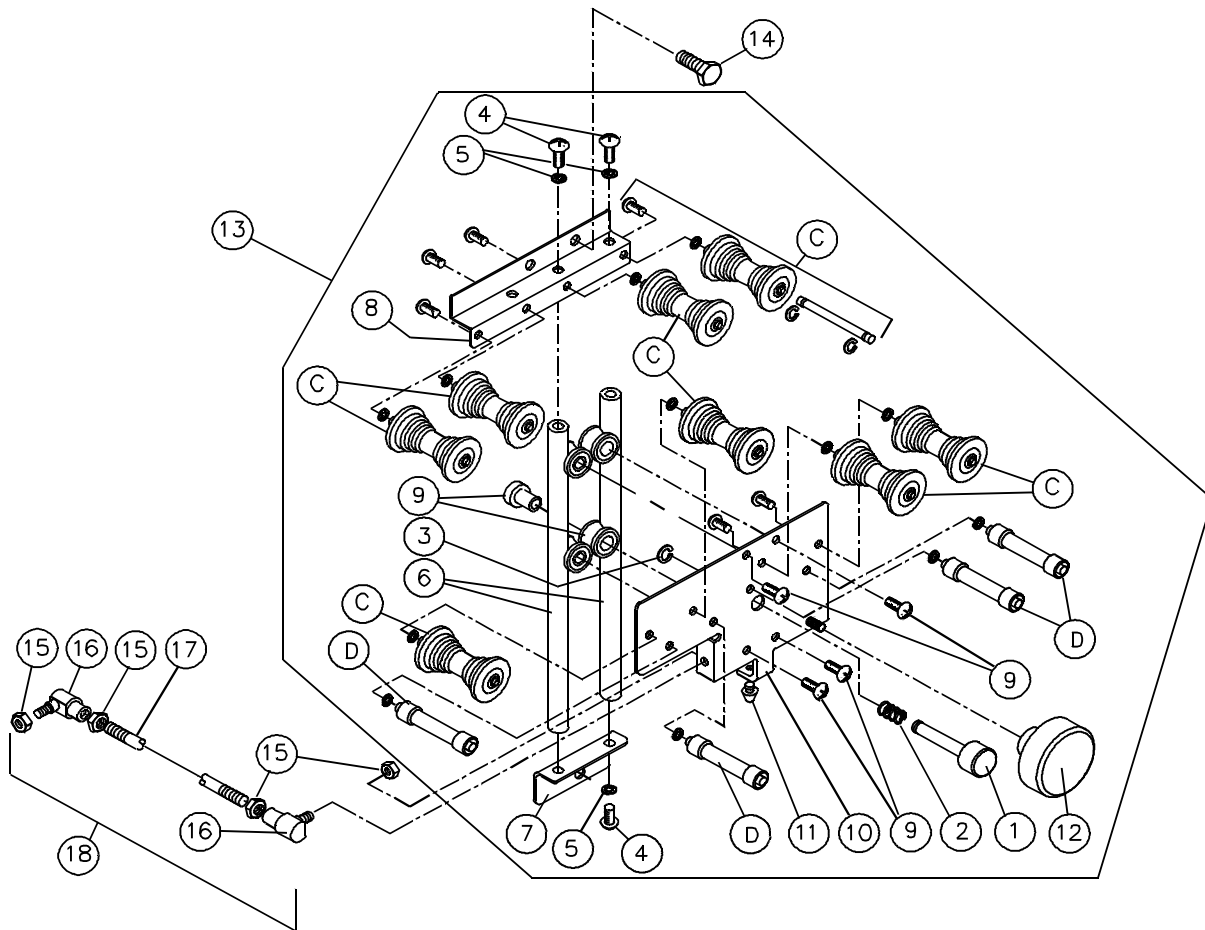


Hi-Speed 70mm Column

Hi-Speed 70mm Column Parts

- A) 2605 Castor Swivel Assy, Left 70mm
- G) 1552 Column Shaft & Pulley Assy 70mm
- E) 1554 Castor Swivel Assy. Right, 70mm
- 1) 1063 SHCS 3/8-16 x 5/8"
- * 2) 2975 Variac Assy. Arm Mount
- 3) 1410 Column Bottom Castor Bracket, 70mm
- 4) 1076 Flatwasher 1/4"
- 5) 1056 HHCS 1/4-28 x 3/4"
- 6) 1088 Locknut, Nylon Insert 1/4-28
- 7) 1055 HHCS 1/4-28 x 1/2"
- 8) 1168 Column Feed Pulley Bracket 1L
- 9) 1709 Socket, CPS
- 10) 2078 Plug 9 Pin
- 11) 2063 Pin Female
- 12) 2071 Clamp Cable
- 13) 3803 Strain Relief, 7/8" x .200
- 14) 1840 Receptacle, 6 Circuit CPS
- 15) 1179 Bushing, Open/Closed 7/8"
- 16) 1655 Column Pulley Shaft, 5/16" Dia.
- 17) 1491 Spool Assy. 70mm
- 18) 1062 HHCS 5/16-18 x 5"
- 19) 1080 Lockwasher 5/16", Split Ring
- 20) 1090 Nut Hex 5/16-18
- 21) 1409 Column R1 Castor Bracket, 70mm
- 22) 3331 Column End Cap
- 23) 1075 Flatwasher #10
- 24) 1072 Screw PTH 10-32 x 1/2"

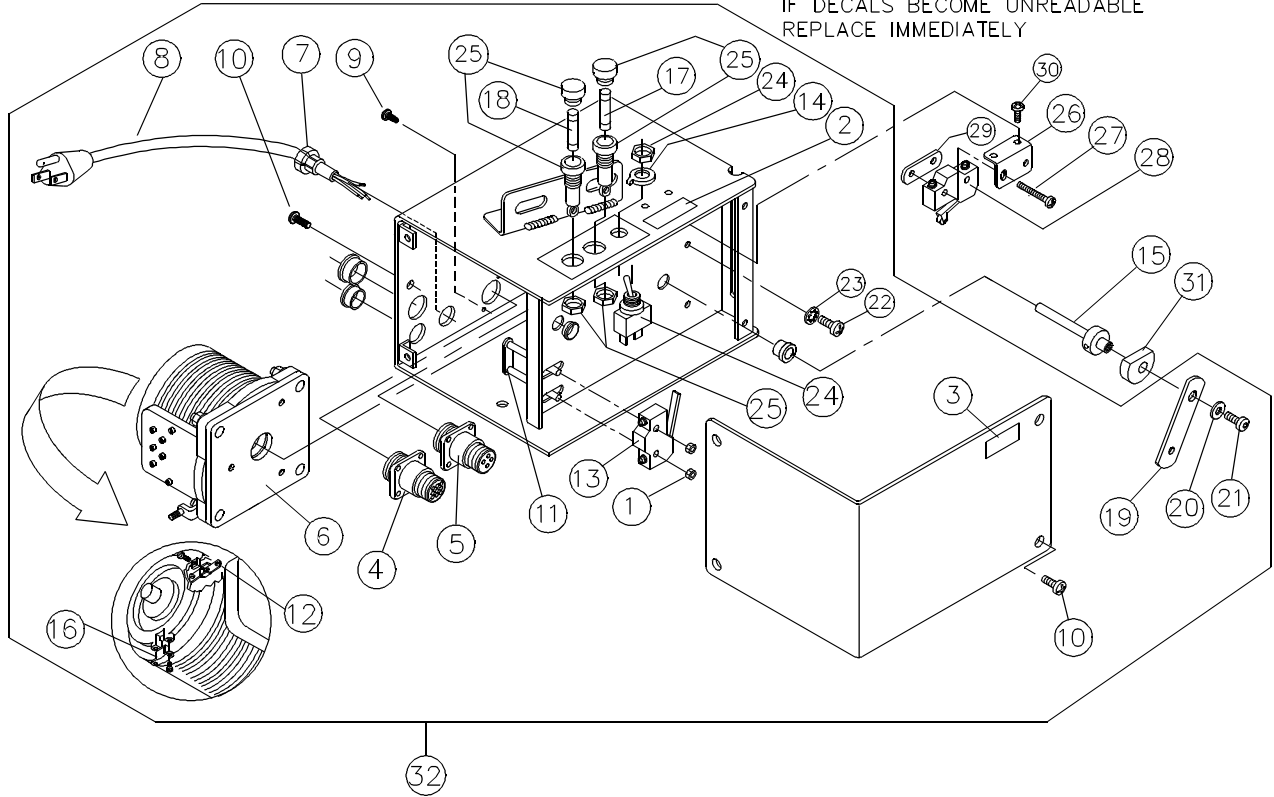
* Variac Assy. 2975 requires some modifications for use on the Hi-Speed 70mm Platter system. See page 5 for details.



Hi-Speed 70mm Take-Up

- | | |
|--|---|
| C) 1556 Pulley Shaft-Castor
& Pulley Assy. 70mm | 9) 2629 Take-Up Slide Shaft & Roller Assy |
| D) 2876 Spool & Shaft Assy. 70mm | 10) 1813 Take-Up Plt. & Bushing 70mm |
| 1) 1465 Take-Up Stop Pin | 11) 2067 Take-up Stop Bumper |
| 2) 1234 Take-Up Stop Pin Spring | 12) 1425 Take-Up Removable Weight |
| 3) 1050 E Ring 5/16" | 13) 2880 Take-Up Assy. Alpha 70mm |
| 4) 1071 Screw PTH 10-32 x 3/8" | 14) 1055 HHCS 1/4-28 x 1/2" |
| 5) 1078 Lockwasher #10, Internal Tooth | 15) 1087 Nut Hex 1/4-28 |
| 6) 1238 Take-up Rail | 16) 2660 Ball Swivel 1/4-28 |
| 7) 1237 Take-Up Lower Bracket | 17) 2247 Variac Linkage Rod A. |
| 8) 1794 Take-Up Upper Bracket, 70mm | 18) 2272 Variac Linkage Rod Assembly A. |

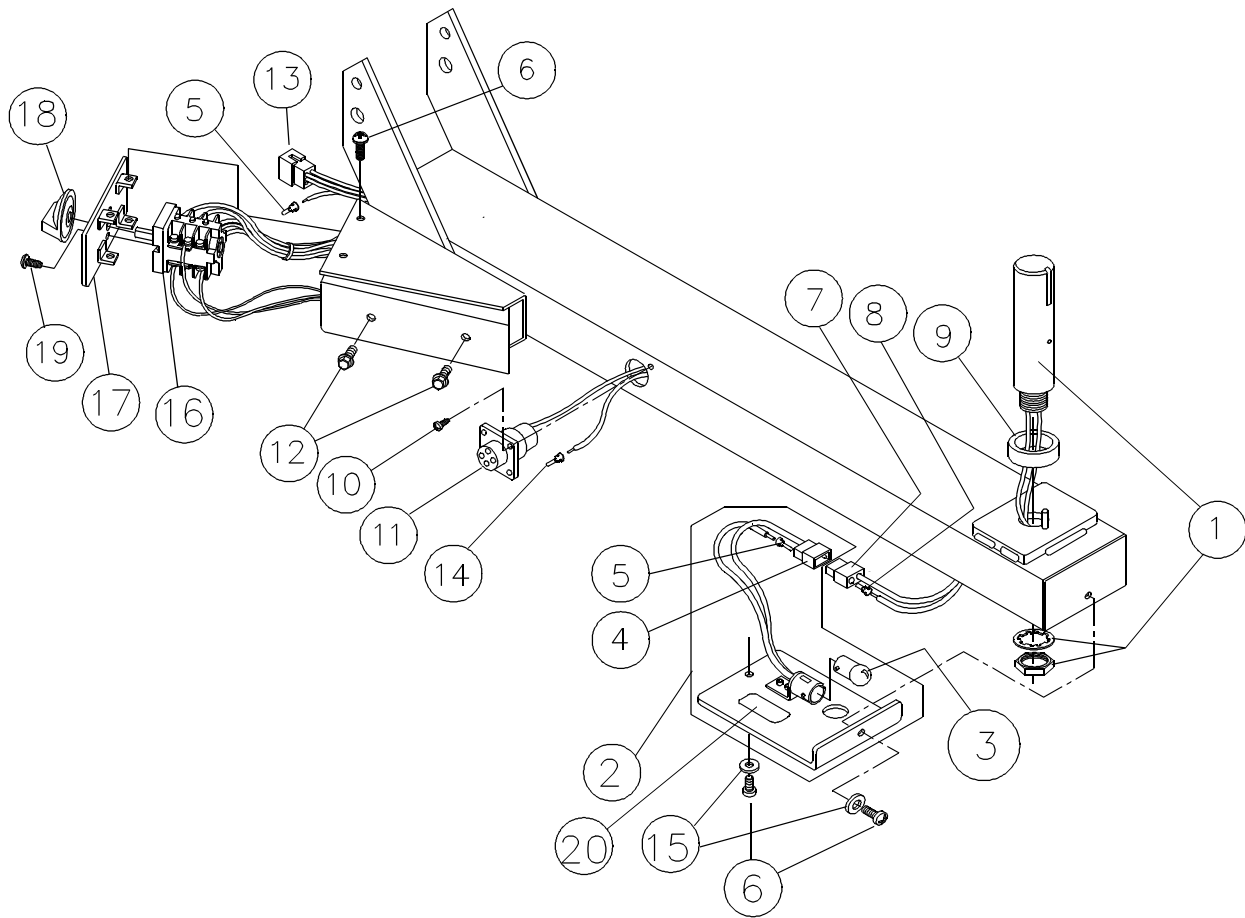
NOTE: DECALS # 3790 & 3788
(ITEMS 2 & 3) HAVE BEEN
INSTALLED FOR YOUR SAFETY
AND THE SAFETY OF OTHERS.
IF DECALS BECOME UNREADABLE
REPLACE IMMEDIATELY



Hi-Speed 70mm Variac
2975 Variac Assy., Arm Mount

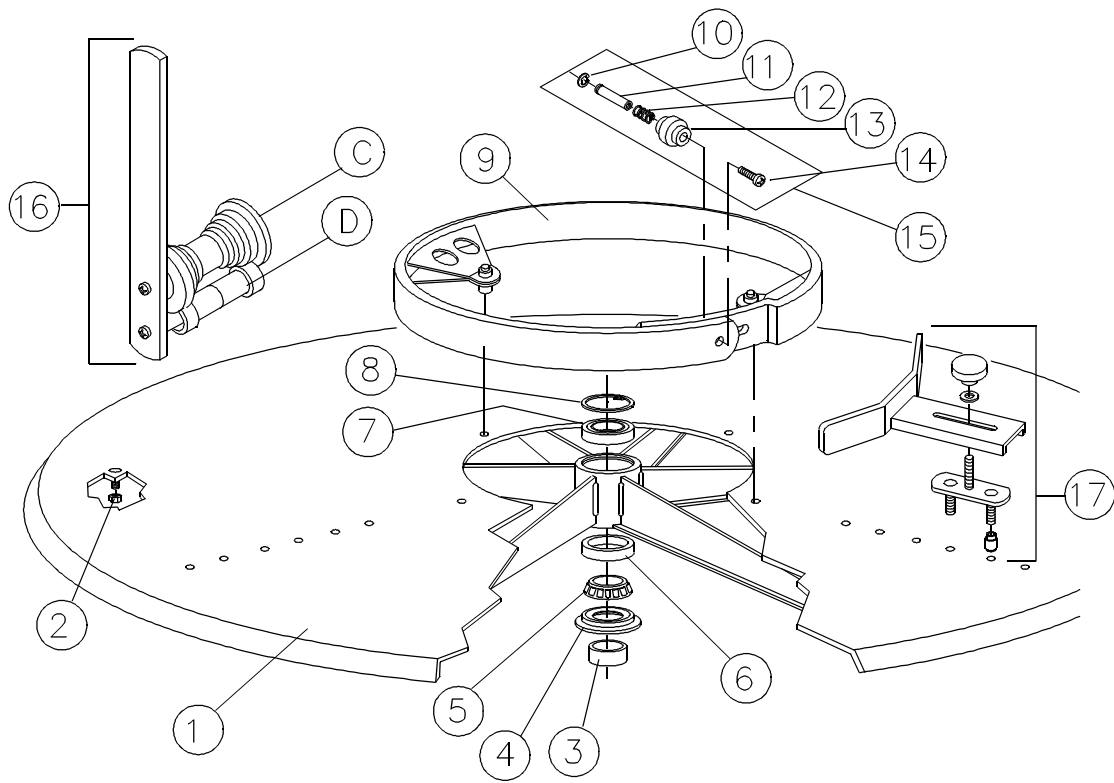
- | | |
|--|--|
| 1) 1083 Nut Hex 6-32 | 19) 1640 Variac Link Type 2 |
| 2) 3788 Decal, Fuse | 20) 1075 Flatwasher #10 |
| 3) 3790 Decal, Cord | 21) 1233 Button Head Cap Screw 10-32 x 3/8" |
| 4) 2077 Receptacle 9 Pin | 22) 1091 Screw PPH 10-24 x 3/8" Type F |
| 5) 2056 Receptacle 4 Pin (std. Sex) | 23) 1078 Lockwasher #10 - Internal Tooth |
| 6) 3884 Transformer Type 1010 115v | 24) 1024 Toggle Switch SPST On-Off |
| 7) 2391 Strain Relief 5/8 x .125
(.325/.36 dia) | 25) 1009 Fuse Holder |
| 8) 1029 Power Cord 3 Wire | 26) 3377 Variac Switch Bracket, Hi-Speed
70mm |
| 9) 2521 Screw PPH #8 x 3/8" Type 25 | 27) 1068 PPH 6-32 x .80 |
| 10) 1071 Screw PTH 10-32 x 3/8" | 28) 2413 Micro Switch-Short Roller Arm |
| 11) 1469 Switch Adjusting Plate Assy | 29) 1147 Nut Plate |
| 12) 2103 Contact Assembly Variac | 30) 1910 Screw, PTH 4-40 x 1/4" |
| 13) 2111 Micro Switch-Flat Blade-HD | 31) 3957 Variac Outer Hub, H-S 70mm |
| 14) 1081 Washer Switch Keyed | |
| 15) 3376 Variac Shaft & Hub Hi-Speed
70mm | |
| 16) 1005 Brush Variac 115v | |
| 17) 2265 Fuse 8 AMP 125v | |
| 18) 2338 Fuse 1.5 AMP 250v | |

NOTE: Item 15 replaces the Variac Shaft (3376) used in Variac Assy. 2975. Items 26, 27, 28, 29, 30 & 31 are added to Assy. 2975 for use on the Hi-Speed 70mm Platter System only.



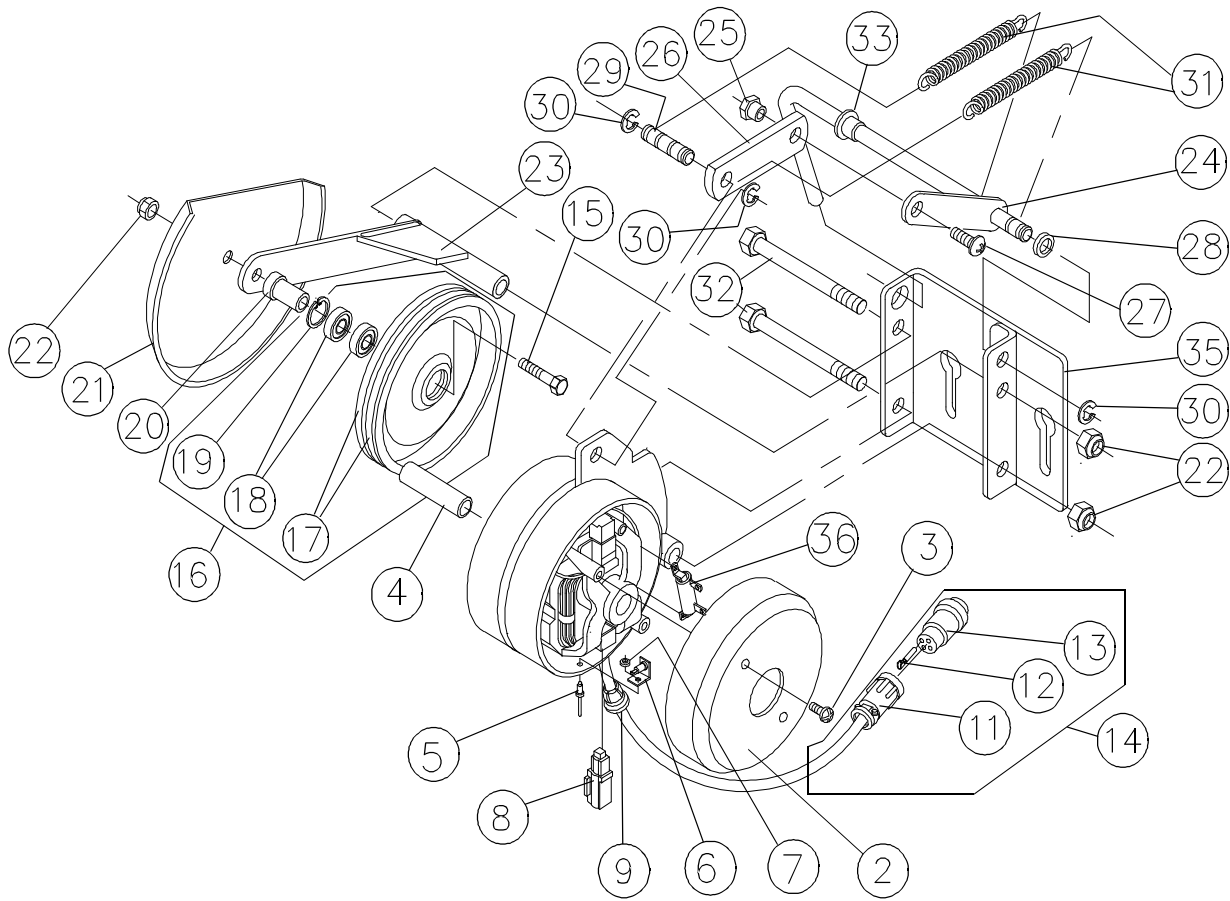
Arm Hi-Speed 70mm

- | | |
|--------------------------------------|--|
| 1) 2359 Arm Spindle Plug In Retrofit | 12) 2367 HWHS 1/4-20 x 5/8" |
| 3) 2129 Bulb 115v Bayonette Base | 13) 1839 Plug, 6 Circuit CPS |
| 4) 1837 Plug, 2 Circuit CPS | 14) 2063 Socket, CPC |
| 5) 1708 Pin, CPS | 15) 1075 Flatwasher #10 |
| 6) 1071 Screw PTH 10-32 x 3/8" | 16) 2352 Selector Switch Alpha |
| 7) 1838 Receptacle, 2 Circuit CPS | 17) 1728 Arm Switch Mount. Plate Weldment
Alpha |
| 8) 1709 Socket, CPS | 18) 2631 Knob-Selector Switch |
| 9) 1183 Arm Bearing Spacer | 19) 2521 Screw PPH #8 X 3/8" Type 25 |
| 10) 1065 Screw PTH 6-32 x 1/4" | 20) 3787 Decal, Bulb Replacement |
| 11) 2068 Receptacle 4 Pin | |



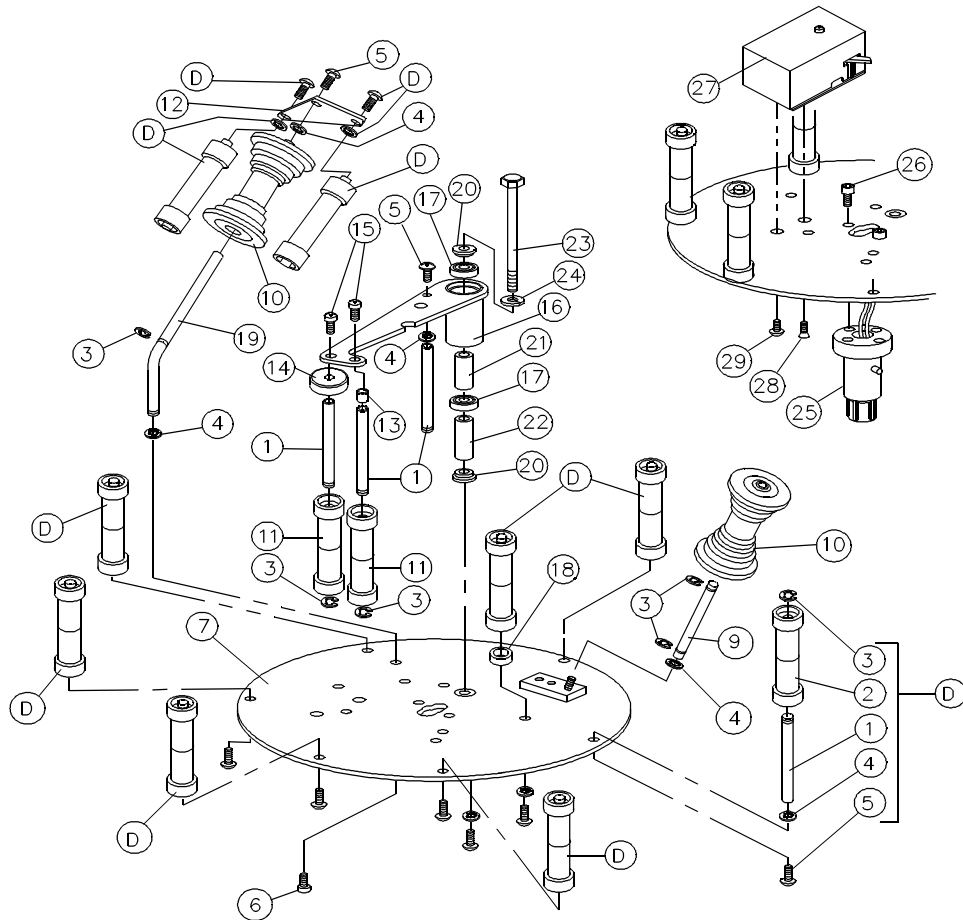
Hi-Speed 70mm Disk & Center Ring

- | | |
|---|--|
| C) 1556 Pulley Shaft-Castor & Pulley Assy
70mm | 9) 3960 Center Ring Assy (includes item #15) |
| D) 2876 Spool & Shaft Assy., 70mm | 10) 1050 E Ring 5/16" |
| 1) 1865 One Disk Crated 52" | 11) 1265 Shaft #9 |
| 2) 1084 Locknut, Nylon Insert 6-32 | 12) 1266 Center Ring Knob Spring |
| 3) 1183 Arm Bearing Spacer | 13) 1264 Center Ring Knob |
| 4) 1258 Disk Lower Bearing Grease Retainer | 14) 1070 Screw PFH 8-32 x 3/8" |
| 5) 1256 Disk Lower Bearing | 15) 1827 Center Ring Knob Assy |
| 6) 1257 Disk Lower Bearing Race Cup | 16) 1498 Projector Arm Assy 70mm
(Includes C & D) |
| 7) 1254 Disk Upper Bearing | 17) 3369 Disk Film Clamp Assembly |
| 8) 1255 Disk Upper Bearing Retaining Ring | |



Hi-Speed 70mm Motor
1826 Drive Motor Assy. Type 3 Alpha

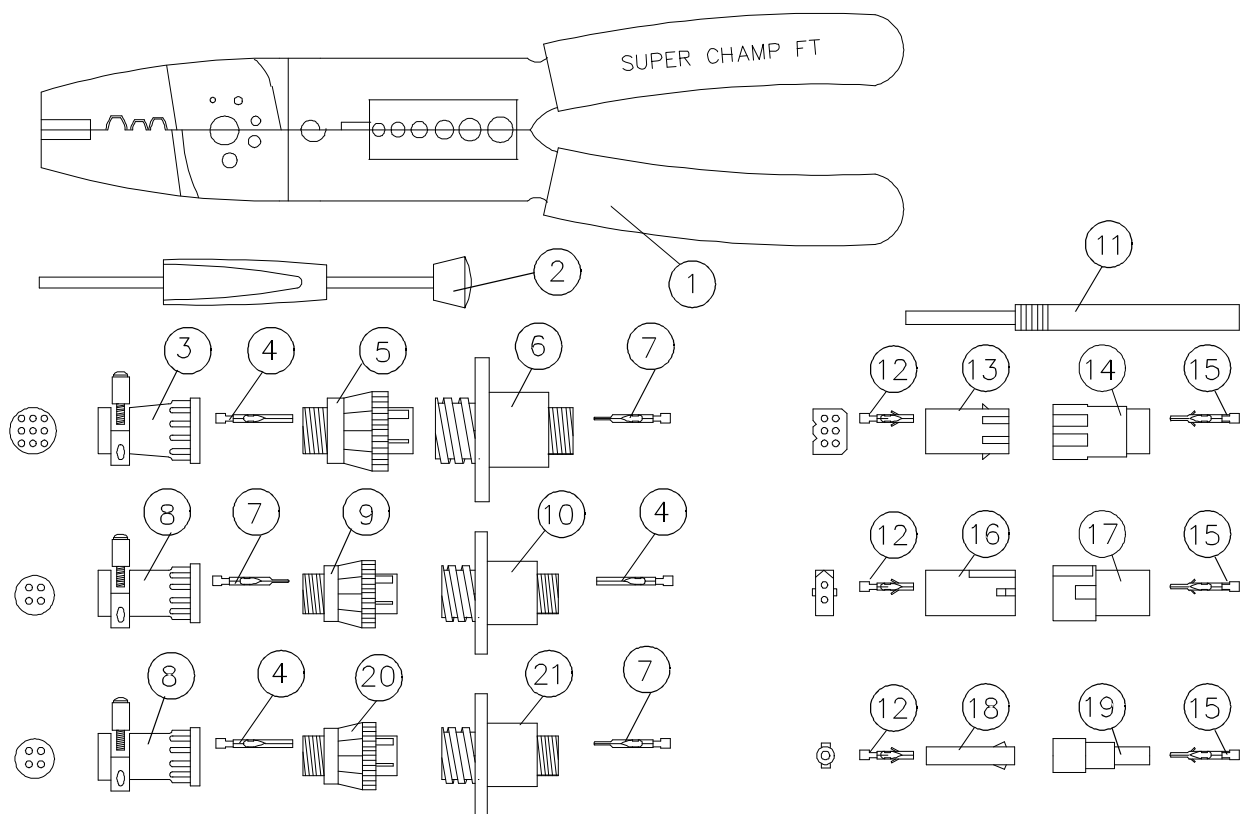
- | | |
|--|---|
| 2) 1192 Drv Mtr End Cover | 20) 1633 Drive Motor Wheel Spacer Type 3 |
| 3) 1091 Screw PPH 10-24 x 3/8" Type F | 21) 1632 Drive Motor Wheel Shield Type 3 |
| 4) 1630 Drv Mtr Hub Type 3, 3/8" dia | 22) 1088 Locknut, Nylon Insert 1/4-28 |
| 5) 1052 Pop Rivet 1/8" X 5/16" Steel | 23) 1620 Drive Motor Wheel Arm Weldment Type 3 |
| 6) 1775 Drv Mtr Diode & Brkt Assy | 24) 1618 Drive Motor Toggle Handle Weldment Type 3 |
| 7) 2026 Back-Up Plt Pop Rivet 1/8" | 25) 1631 Drive Motor Linkage Connector Type 3 |
| 8) 1004 Brush Motor 115 volt (1 pair) | 26) 1634 Drive Motor Connector Link Type 3 |
| 9) 2856 Strain Relief 5/8 x .062 | 27) 1071 Screw PTH 10-32 x 3/8" |
| 11) 2070 Clamp Cable #11 | 28) 1546 Washer, Fiber 5/16" x 7/16" x .015" |
| 12) 2064 Pin Male | 29) 1402 Drive Motor Spring Pin |
| 13) 2069 Plug 4 Pin | 30) 1050 E Ring 5/16" |
| 14) 2299 Drv Motor Plug Wire Harness A. | 31) 1818 Drive Motor Spring Type 3 |
| 15) 2370 HHCS 1/4-28 x 1 1/4" | 32) 3009 HHCS 1/4-28 x 3 3/4" |
| 16) 2140 Drive Motor Wheel Assy | 33) 1128 Bushing Plastic 1/2" |
| 17) 2362 Drive Motor Rubber Tire | 35) 2796 Drive Motor Adjustment Plate Assembly Type 4 |
| 18) 2066 Bearing Drive Wheel 7/8 OD x 3/8 ID | 36) 1253 Resistor 2 OHM with Mounting Hardware |
| 19) 2224 Retaining Ring Internal 7/8" | |



Hi-Speed 70mm Control Plate

3071 Control Plate Assy. Plug-in 70mm PHC Complete

- | | |
|---|--|
| D) 2876 Spool & Shaft Assy. 70mm (Includes 1-5) | 18) 4301 Control Plate Exit Feed Spool Spacer, 70mm |
| 1) 1431 Spool Shaft, 70mm | 19) 1658 Control Plate Exit Shaft #3, 5/16" Dia. 70mm |
| 2) 1491 Spool Assembly, 70mm | 20) 2380 Control Plate Sensor Arm Washer |
| 3) 1050 E-Ring, 5/16" | 21) 2379 Control Plate Sensor Arm Spacer |
| 4) 1078 Lockwasher, #10, Internal Tooth | 22) 1742 Control Plate Arm Hub Standoff, 70mm |
| 5) 1071 Screw PTH, 10-32 x 3/8" | 23) 3009 HHCS, 1/4-28 x 3 3/4" |
| 6) 1592 SHCS, 10-32 x 1/2" | 24) 1079 Lockwasher, 1/4" Split Ring |
| 7) 2210 Control Plate & Nut Sub Assy. 70mm | 25) 2357 Control Plate, Plug-In Adapter (Includes item 26) |
| 9) 1654 Pulley Shaft-Castor, 5/16" Dia. 70mm | 26) 1064 SHCS, 8-32 x 3/8" |
| 10) 1715 Pulley Assy. 5/16" ID, 70mm | 27) 2430 Phase Control Assy. W/mounting Package (includes 28 & 29) |
| 11) 3067 Sensor Arm Spool Assy. 70mm | 28) 1070 Screw, PFH, 8-32 x 3/8" |
| 12) 1436 Control Plate Keeper Tab, 70mm | 29) 1069 Screw, PTH, 8-32 x 3/8" |
| 13) 1153 Control Plate Arm Spool Spacer Float | |
| 14) 2006 Control Plate Arm Film Spacer | |
| 15) 1072 Screw, PTH, 10-32 x 1/2" | |
| 16) 1691 Control Plate Sensor Arm & Hub | |
| 17) 2407 Bearing, 5/8 OD x 1/4 ID | |



- 1) 2674 Pin Crimping Tool
- 2) 2673 Pin Extraction Tool CPC
- 3) 2071 Clamp Cable #13
- 4) 2063 Socket CPC
- 5) 2078 Plug 9 Pin
- 6) 2077 Receptacle 9 Pin
- 7) 2064 Pin CPC
- 8) 2070 Clamp Cable #11
- 9) 2069 Plug 4 Pin
- 10) 2068 Receptacle 4 Pin
- 11) 2669 Pin Extraction Tool CPS
- 12) 1709 Socket, CPS
- 13) 1840 Receptacle, 6 Circuit CPS
- 14) 1839 Plug, 6 Circuit CPS
- 15) 1708 Pin, CPS
- 16) 1838 Receptacle, 2 circuit CPS
- 17) 1837 Plug, 2 Circuit CPS
- 18) 1836 Receptacle, 1 Circuit CPS
- 19) 1835 Plug, 1 Circuit CPS
- 20) 2057 Plug, 4 Pin - (std sex)
- 21) 2056 Receptacle 4 Pin - (std sex)